



REPLACEMENT PARTS

CATALOGUE No. 7

UNIT CONSTRUCTION 40 cu. ins. TWINS

TR6R TIGER 650

TR6C TROPHY 650

T120R BONNEVILLE 120

From engine No. DU 85904

TRIUMPH ENGINEERING COMPANY LIMITED
MERIDEN WORKS · ALLESLEY · COVENTRY · ENGLAND
TELEPHONE MERIDEN 331 **TELEGRAMS "TRUSTY COVENTRY"**

TRIUMPH GUARANTEE

1. In this Guarantee the word "machine" refers to the motor cycle, scooter, motor cycle combination or sidecar as the case may be, purchased by the Purchaser.
2. In order to obtain the benefit of this Guarantee, the Purchaser must have correctly completed the registration form and returned it to us within fourteen days of the purchase.
3. We will supply, free of charge, a new part in exchange for, or, if we consider repair sufficient, will repair free of charge any part proved within six months of the date of purchase of any new machine, (three months overseas) or within three months of its renewal or repair in the case of a part already renewed or repaired, to be defective by reason of our faulty workmanship or materials. We do not undertake to bear the cost of fitting such new or repaired part or accessory.
4. Any part considered to be defective must be sent to our Works, carriage paid, accompanied by the following information:—
 - (a) Name of purchaser and his address;
 - (b) Date of purchase of machine;
 - (c) Name of dealer from whom the purchase was made;
 - (d) Engine number and model.
5. This Guarantee shall not extend to defects or damage appearing after misuse, neglect, abnormal stress or strain, or the incorporation or affixing of unsuitable attachments or parts and in particular:—
 - (a) Hiring out;
 - (b) Racing and Competitions;
 - (c) Adaptation or alteration of any part or parts after leaving our Works;
 - (d) The attaching of a sidecar in a manner not approved by us or to an unsuitable motor cycle.

This Guarantee shall not extend to machines whose trade mark, name or manufacturing number has been altered or removed, or in which has been used any part not supplied or approved by us, or to tyres, saddles, chains, speedometers, revolution counters and electrical equipment or to parts supplied to the order of the Purchaser and different from our standard specification.
6. Our liability and that of our dealer who sells the machine, shall be limited to that set out in this guarantee, and no other claims including claims for consequential damage or injury to person or property, shall be admissible. All other conditions and warranties statutory or otherwise and whether express or implied are hereby excluded and no guarantee other than that expressly herein contained applies to the machine to which this Guarantee relates or any accessory or part thereof.
7. We reserve the right to modify or deviate from the Published Specification without notice.

REPAIRS GUARANTEE

1. Whilst the highest standard of workmanship and materials is aimed at, we cannot accept liability for any defects appearing more than three months after the machine, assembly or component has left our Works after being repaired.
2. We will repair or replace at our option free of charge any defective work, materials or parts relating to the repairs carried out by us appearing within that time but shall not be under any further or other liability for any other loss or damage whether direct or consequential and our liability shall be limited to the cost of so making good. We do not undertake to bear the cost of fitting any replacement or repaired part.
3. We do not accept liability in respect of parts of proprietary manufacture, e.g. tyres, saddles, chains, speedometers, revolution counters and electrical equipment which may be used by us in effecting a repair. All other conditions and warranties statutory or otherwise expressed or implied are hereby excluded.

TRIUMPH SPARES

HOW TO ORDER. Every part is indicated by number, and this should be quoted together with the description. In order to assist customers, dimensions have been given in many cases where parts are similar. Parts where possible have been listed in order of assembly and a number of the illustrations show the assembly order also. With these aids there should be no difficulty in identifying the parts you require **Always head your order with the engine number, stamped on the left side of the crank case underneath the cylinder flange, together with the prefix letters.**

WHERE TO OBTAIN. Triumph Spare Parts can only be obtained from an authorised Triumph Dealer, and we recommend our customers to place their orders with the Triumph Dealer in their district. When parts not usually asked for are required, and for which the Dealer may have to write or obtain specially, the postage or carriage incurred becomes payable.

Triumph Spares are not supplied to private owners direct from the factory. If difficulty is experienced in obtaining the required parts, the matter should be taken up directly with the Triumph Spares Department.

Customers are warned against the risk incurred by purchasing parts that are not of genuine Triumph manufacture. This risk is eliminated if parts are ordered as instructed from recognised Dealers.

PATTERNS AND PARTS FOR REPAIR. It is not necessary to send patterns if the part number is quoted. The sending of patterns often delays the order as parcel post or rail takes longer than letter post.

Parts sent to Coventry for repair, replacement, or as patterns should bear the sender's name and address and clear instructions should accompany the parts. In your own interest send a copy of the advice note under separate cover. All parts must be forwarded carriage paid and care should be taken to ensure that all remittances are sent separately and not enclosed with the parts. Fragile units such as cylinders, etc., should always be boxed to avoid damage in transit. Complete machines should have all fitments such as windscreens, driving mirrors, tools, etc., removed by the sender before despatch, as it is impossible for us to accept responsibility in the event of loss in transit. We are always pleased to give estimates for overhauling and repairs, but should an estimate not be accepted, a charge will be made covering cost of dismantling and re-assembling, if carried out.

Communications relating to Parts should be addressed to the SPARES DEPARTMENT and for repairs, guarantee claims and technical advice to the SERVICE DEPARTMENT, Triumph Engineering Co. Ltd., Meriden Works, Allesley, Coventry. In order to facilitate quick reference, the quoting of any number, invoice number or reference from previous communications is essential. Accessories not of our manufacture should be sent direct to the actual makers, whose names and addresses appear below.

PROPRIETARY GROUP

Ancillary equipment which is fitted to our motor cycles is of the highest quality and is guaranteed by the manufacturer and not by ourselves. Any repairs or claims should be made to the actual makers or their local agents who will always give owners every possible assistance. The following are the addresses of the various manufacturers:—

CARBURETTERS

Messrs. Amal Ltd.,
Holdford Rd., Witton, Birmingham 6.

CHAINS

Renold Chains Ltd.,
Wythenshawe, Manchester.

ELECTRICAL EQUIPMENT

Messrs. J. Lucas Ltd.,
Gt. Hampton St., Birmingham, 18.

TYRES

Dunlop Rubber Co. Ltd.,
Fort Dunlop, Birmingham, 24.

SPARKING PLUGS

Champion Sparking Plug Co. Ltd.,
Feltham, Middlesex.

SPEEDOMETERS

Messrs. Smiths Industries Ltd.,
Cricklewood Works, London, N.W.2.

SUSPENSION UNITS

Messrs. Girling Ltd.,
Birmingham Road, West Bromwich, Staffs.

INDEX

	<i>Page</i>		<i>Page</i>
AIR FILTER	57	HANDLEBARS	63
ALTERNATOR	13, 33	HANDLEBAR MOUNTINGS	47
AUTO-ADVANCE UNIT	23	HEADLAMP	75, 79
		HEAT SINK	77
BATTERY CARRIER	57	HORN	77
BRAKE SWITCHES	65	KICKSTARTER	29
		MANIFOLD	17
CAMSHAFT, INLET AND EXHAUST	13	MUFFLERS	41, 43
CAPACITOR, IGNITION	75	OIL PUMP	17
CARBURETTER	69, 71	OIL TANK	55
CARTON PACKS	9	PISTONS	13
CENTRE STAND	35	PROP STAND	35
CHAINS	33	PUSH RODS	19, 21
CHAINCASE	33	REAR WHEEL	51
CLUTCH	31	RECTIFIER	77
CLUTCH LEVER ASSEMBLY	29	REFLECTORS	53
COIL	77	ROCKERS	21
CONDENSER PACK	77	SIDE PANEL	59
CONNECTING RODS	13	SPARKING PLUG	77
CONTACT BREAKER	23	SPEEDOMETER	73
CONTROL CABLES	65	SPEEDOMETER GEARBOX	73
CONTROL LEVERS	63	STEERING DAMPER	47
CRANKCASE	15	STEERING RACES	35
CRANKCASE UNDERSHIELD	39	SUSPENSION UNITS	37
CRANKSHAFT	13	SWINGING FORK	37
CYLINDERS	19, 21	SWITCHES	79
CYLINDER HEAD	19, 21	TACHOMETER	73
		TACHOMETER GEARBOX	73
ENGINE PLATES	39	TAIL LAMP	79
ENGINE TORQUE STAY	39	TAPPETS	17
EXHAUST PIPES	41, 43	TIMING GEARS	13
EXHAUST PIPE ADAPTOR	19, 21	TOOLKIT	67
		TWIN SEAT	59
FENDERS	61	VALVES	19, 21
FOOTRESTS	39, 67	VALVE GUIDES	19, 21
FRAME	35	WIRING HARNESS	79
FRONT BRAKE	49	ZENER DIODE	77
FRONT FORKS	45		
FRONT WHEEL	49		
FUSE ASSEMBLY	57		
GAS TANK	53		
GASKET SET	9		
GEARBOX	25, 27, 29		



TIGER 650 (TR6R) TECHNICAL DATA

Bore and stroke...	71 x 82 mm. 2.79 x 3.23 ins.
Capacity	649 c.c. (40 cu. ins.)
Compression ratio	9 : 1
Spark plugs	Champion N3
Carburetter	Amal Concentric 930
				Main jet	230
				Needle jet106
				Throttle valve	No. 3½
Gearbox sprocket	19 teeth
Chains	Front	¾" Duplex x 84 links
				Rear	⅝" x ⅜" x 104 links
Capacities	Gas Tank	3¼ U.S. galls. (16 litres)
				Oil Tank	6 U.S. pints (2.8 litres)
				Gearbox	⅞ pint (500 c.c.)
				Primary Chaincase	⅝ pint (350 c.c.)
				Front Forks (each leg)	½ pint (200 c.c.)
Brakes	Front, diameter...	8" (20.32 cm.)
				Rear, diameter	7" (17.78 cm.)
Tire size	Front	3.25 x 19
				Rear	4.00 x 18



TROPHY 650 (TR6C) TECHNICAL DATA

Bore and stroke...	71 x 82 mm. 2.79 x 3.23 ins.
Capacity	649 c.c. (40 cu. ins.)
Compression ratio	9 : 1
Spark plugs	Champion N3
Carburetter	Amal Concentric 930
				Main jet	230
				Needle jet106
				Throttle valve	No. 3½
Gearbox sprocket	18 teeth
Chains	Front	3/8" Duplex x 84 links
				Rear	5/8" x 3/8" x 104 links
Capacities	Gas Tank	2 3/4 U.S. galls. (11 litres)
				Oil Tank	6 U.S. pints (1.8 litres)
				Gearbox	7/8 pint (500 c.c.)
				Primary Chaincase	5/8 pint (350 c.c.)
				Front Forks (each leg)	1/3 pint (200 c.c.)
Brakes	Front, diameter...	8" (20.32 cm.)
				Rear, diameter	7" (17.78 cm.)
Tire size	Front	3.50 x 19
				Rear	4.00 x 18



BONNEVILLE (T120R) TECHNICAL DATA

Bore and stroke...	71 x 82 mm. 2.79 x 3.23 ins.
Capacity	649 c.c. (40 cu. ins.)
Compression ratio	9 : 1
Spark plugs	Champion N3
Carburettors	2 Amal Concentric 930
				Main jet	190
				Needle jet106
				Throttle valve	No. 3
Gearbox sprocket	19 teeth
Chains	Front	$\frac{3}{8}$ " Duplex x 84 links
				Rear	$\frac{5}{8}$ " x $\frac{3}{8}$ " x 104 links
Capacities	Gas Tank	2 $\frac{3}{4}$ U.S. galls. (11 litres)
				Oil Tank	5 U.S. pints (2.8 litres)
				Gearbox	$\frac{7}{8}$ pint (500 c.c.)
				Primary Chaincase	$\frac{5}{8}$ pint (350 c.c.)
				Front Forks (each leg)	$\frac{1}{3}$ pint (200 c.c.)
Brakes	Front, diameter...	8" (20.32 cm.)
				Rear, diameter	7" (17.78 cm.)
Tire Size	Front	3.25 x 19
				Rear	4.00 x 18

CARTON PACK LIST

The following sub-assemblies are supplied in carton packs under the C.P. part number stated. The contents of these carton packs are preserved and will not deteriorate under adverse conditions.

Part No.	Contents
----------	----------

Brake Lining

C.P. 38/A.11.2 99-0001	2							NW243	Brake lining
	16							W129	Rivet

Pistons (complete with rings, gudgeon pins and circlips). These are in effect "carton pack" assemblies.

E6868 E9438								9 : 1 CR.	Standard	AVAILABLE in .030
E6867								11 : 1 CR.	Competition use only	

All the above pistons are available in oversizes of 0.010 ins., 0.020 ins., 0.040 ins., (0.25 mm., 0.5 mm., 1mm.)

De-coke Gasket Set	All models ...											DGSZ 99-0038
---------------------------	----------------	--	--	--	--	--	--	--	--	--	--	-------------------------

Overhaul Gasket Set	All models ...											SSB/100/107 99-0028
----------------------------	----------------	--	--	--	--	--	--	--	--	--	--	--------------------------------

Fork Service pack												CP168/64T
--------------------------	--	--	--	--	--	--	--	--	--	--	--	-----------

Steering Race Kit

C.P.156													
	2							H111	Cups	
	1							H439	Cone	
	1							H1018	Top cone	
	40							S70-3	Ball	

*PARTS MANUAL ISSUE 7B
OWNER'S MANUAL CD10/69*

HOW TO USE THIS PARTS CATALOGUE

First check that the engine number of your machine is subsequent to that quoted on the title page.

Next consult the index on Page 4 for the parts or group of parts which you wish to locate. When you have located the parts make sure from the end columns that the part you have located does apply to your machine.

List the quantities required as single units; do not ask for "2 pairs" or "3 dozen".

Proprietary components e.g. electrical equipment, carburetters, suspension units etc. are listed in the first column under Triumph part numbers (prefixed either D- or 99-) wherever they are stocked at the factory. If proprietary parts are listed only under manufacturers part numbers, they are not available from the factory.

In case of painted items always state the colour required. Painted parts are available only in the colours or alternatives specified for that model of that particular year.

<i>Model</i>	<i>Colour</i>
TR6 all conditions	Trophy Red/Silver
T120R	Olympic Flame/Silver

N.B. Trophy Red and Olympic Flame are both flamboyant finishes applied over Silver.

Paint is available only in Aerosol containers.

PLEASE NOTE

THROUGHOUT THIS LIST, ASSEMBLIES ARE PRINTED IN CAPITALS AND THE COMPONENTS INCLUDED IN THAT ASSEMBLY ARE INDENTED IN THE DESCRIPTION COLUMN, REVERTING TO THE ORIGINAL ALIGNMENT WHEN THE ASSEMBLY IS COMPLETE. TO ORDER THE COMPLETE ASSEMBLY IT IS NECESSARY ONLY TO QUOTE THE ASSEMBLY NUMBER. ANY COMPONENT PARTS LISTED MAY ALSO BE OBTAINED SEPARATELY IF REQUIRED.

SPECIAL WORKSHOP TOOLS

A COMPLETE LIST OF WORKSHOP TOOLS CAN BE MADE AVAILABLE BY EITHER CONTACTING YOUR DEALER OR APPLYING DIRECT TO THE TRIUMPH SERVICE DEPARTMENT. IN MOST CASES THESE TOOLS ARE VERY COSTLY AS THEY ARE MADE ENTIRELY FOR WORKSHOP USE, AND THEREFORE, IT IS NOT RECOMMENDED THAT THE PRIVATE OWNER PURCHASES THE TOOLS IN ORDER TO AID SERVICING THE MACHINE ONCE OR TWICE ONLY. IN THESE CIRCUMSTANCES IT IS FAR MORE ECONOMICAL TO GET IN TOUCH WITH A RECOGNISED DEALER.

UNIFIED THREAD FORM

NEW PARTS HAVING THREADED FIXINGS INTRODUCED IN THIS CATALOGUE HAVE THE UNIFIED FORM OF SCREW THREADS. THIS CHANGEOVER WILL BE CONTINUED AS AND WHEN NEW PARTS ARE INTRODUCED. EVEN WHERE PARTS ARE SIMILAR IN APPEARANCE NEW PART NUMBERS WILL BE ALLOCATED TO IDENTIFY THE UNIFIED THREADS. ALL NUTS, BOLTS AND STUDS HAVING THIS THREAD ARE IDENTIFIED BY MARKINGS. BOLTS HAVE A CIRCULAR RECESS IN THEIR HEADS, STUDS A CIRCULAR GROOVE ON THE END, AND NUTS HAVE INTERLOCKING CIRCLES ON THE SIDE.

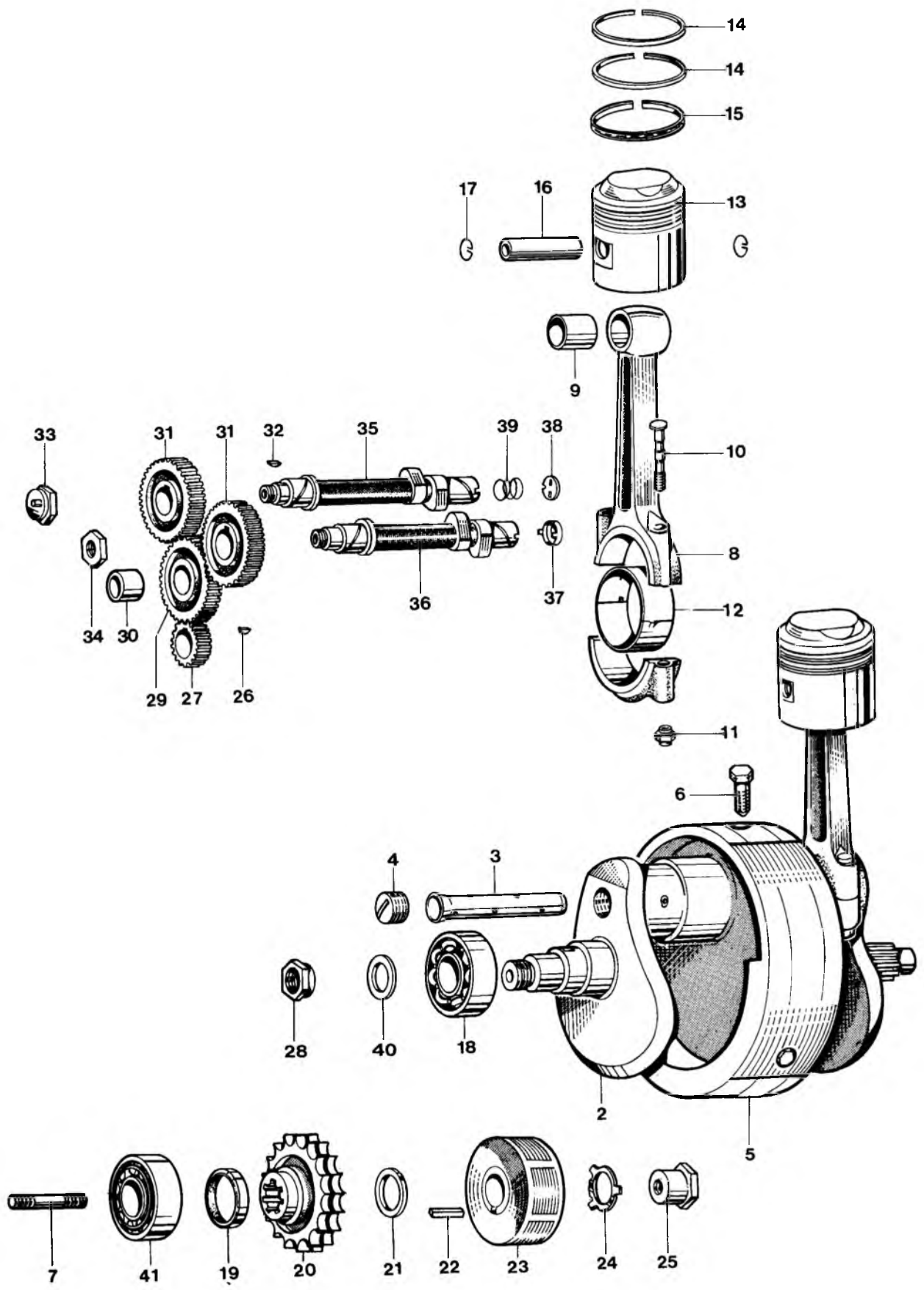


Fig. 1. CRANKSHAFT AND CONNECTING RODS

CRANKSHAFT AND CONNECTING RODS

1	**E9686 70-2400	CRANKSHAFT AND FLYWHEEL ASSEMBLY	1	
2	E4643	CRANKSHAFT C/W. OIL TUBE	1	
3	E3903	Oil tube	1	
4	E3905	Screwed plug	1	
5	**E9687 71-2425	Flywheel	1	
6	E9387	Flywheel bolt	3	
7	E3114	Crankshaft stud (1 3/8 in. O.A.)	1	
8	E9525	CONNECTING ROD	2	
9	E1511	Small end bush	2	
10	E6576	Connecting rod bolt	4	
11	S549 60-3761	Self locking nut	4	
12	E3586	Big end bearing (Available in —010 in. and —020 in. oversizes)	4	
13	E6868 70-9488	PISTON COMPLETE 9 : 1 C.R.	2	
13	E6867	PISTON COMPLETE 11 : 1 C.R.	2	
14	E6864 } <i>ring set</i>	Taper compression ring	4	
15	E6865 }	Oil control ring	2	
16	E6862	Gudgeon pin (long)	2	
17	E6869	Circlip	4	
18	E1591	Main bearing, right	1	
19	E3876	Oil seal	1	
20	E5446 70-5450	Engine sprocket, 29 teeth Duplex	1	
21	E4573 70-4912	Distance piece	1	
22	E3974	Rotor key	1	
23	99-0739 54262275	Rotor (54213901)	1	
24	E3975	Tab washer	1	
25	E3977	Nut	1	
26	E1580	Key	1	
27	E4564	Timing pinion	1	
28	E4565	Nut	1	
29	E6159	INTERMEDIATE WHEEL	1	
30	E400	Intermediate wheel bush... ..	1	
31	E4562	Camshaft wheel... ..	2	
32	E1558	Camshaft key	2	
33	E1463	Inlet camshaft nut	1	
34	E4563	Exhaust camshaft nut	1	
35	E10040	Inlet camshaft, Racing type	1	
36	E10041	EXHAUST CAMSHAFT, RACING TYPE	1	
37	†E4700	Tachometer drive thimble	1	
38	E5316	Rotary breather valve	1	
39	E2256	Breather valve spring	1	
40	E3300	Clamping washer	1	
41	E2879	Main bearing, left	1	

* Use D524 Loctite Sealant

** For the commencement of the season, the previous 'light' type of crankshaft assembly (Part No. E7331) is fitted. The flywheel only from this assembly bears Part No. E7332 *used with bolts E6328 (3 used)*

† Use ~~E7630~~ *70-9910* to replace without dismantling motor

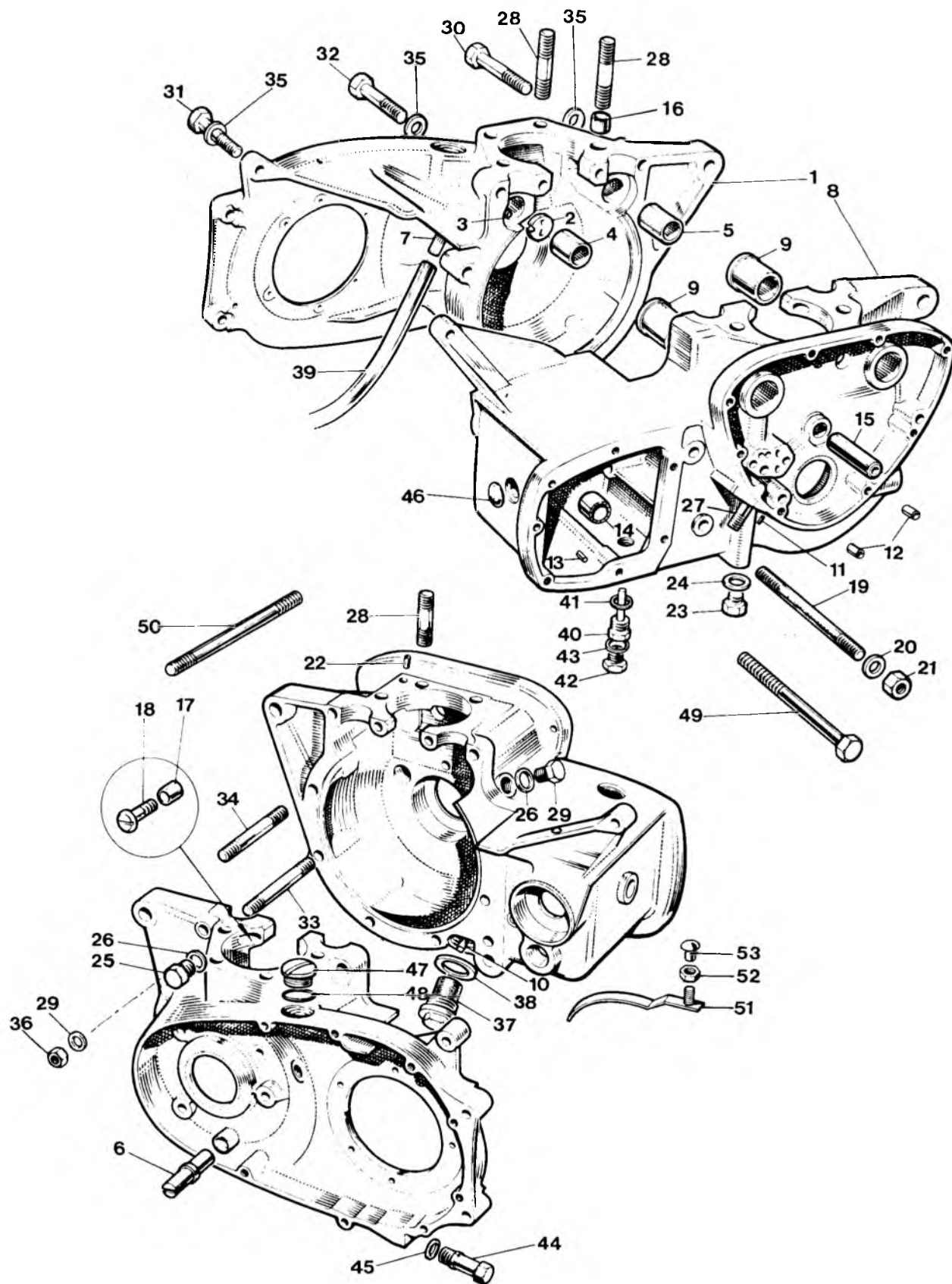


Fig. 2. CRANKCASE

Ref. No.	Part No.	DESCRIPTION	QUANTITY	REMARKS
CRANKCASE				
1	E9748	CRANKCASE DRIVE SIDE	1	
2	GS87 99-3525	Breather disc	1	
3	E2311	Locating pin—at disc	1	
4	E2260 71-0298	Inlet camshaft bush	1	
5	E1516 71-0287	Exhaust camshaft bush	1	
6	E5976	Chain tensioner abutment	1	
7	E2724	Breather pipe (metal)	1	
8	E9749	CRANKCASE TIMING SIDE	1	
9	E1479 71-0296	Camshaft bush	2	
10	E4538 70-5230	Scavenge pipe	Reference only
11	E6386	Locating peg (at oil pipes)	Reference only
12	T989	Hollow dowel	2	
13	T912	Locating peg (L/S at thrust washer)	1	
14	T1606	Needle roller bearing, layshaft	1	
15	E375	Intermediate wheel spindle	1	
16	E1532	Hollow dowel	1	
17	E3716	Hollow dowel	1	
18	S1873	Screw ($\frac{1}{8}$ in. U.H.)	2	
19	14-1445	Stud ($4\frac{1}{2}$ in. O.A.)	1	
20	S25-260-4246	Plain washer	2	
21	14-0303	Nut	2	
22	E8751	Hollow dowel, tappet oil feed	2	
23	E9330	Oilway plug	1	
24	F1880	Copper washer	1	
25	S1871	Tachometer drive plug (L.H. thread)	1	
26	E8896	Fibre washer	2	
27	S1863	Oil pipe stud ($1\frac{1}{2}$ in. O.A.)	1	
28	S1865	Cylinder stud ($1\frac{3}{4}$ in. O.A.)	8	
29	S1872	Plug, timing hole	1	
30	S1870	Bolt ($2\frac{1}{2}$ in. U.H.) UN	1	
31	44-0620 14-6220	Bolt ($1\frac{3}{4}$ in. U.H.) UN	1	
32	S1869	Bolt ($1\frac{1}{8}$ in. U.H.) UN	1	
33	E4856	Stud ($5\frac{1}{16}$ in. O.A.)	1	
34	E2888	Stud ($3\frac{7}{8}$ in. O.A.)	2	(TR6C 3 off)
35	S25-360-4247	Plain washer	11	
36	S1-51 21-1875	Nut	8	
37	E9336	Crankcase filter UN	1	
38	E5315 70-8732	Copper washer	1	
39	E5375	Breather extension pipe	1	
40	T3851	Drain plug (with level tube) UN	1	
41	T1257	Fibre washer	1	
42	S543	Level plug UN	1	
43	E2441 60-3132	Copper washer	1	
44	E6347	Drain and adjuster plug	1	
45	T1738	Fibre washer	1	
46	T1920	Blanking plug	1	
47	T2166	Filler plug UN	2	
48	E8782	Fibre washer "O-RINGS"	2	
49	14-6242	Bolt (4 in. U.H.) UN	1	
50	E5963	Stud ($4\frac{3}{8}$ in. O.A.)	1	(Except TR6C)
51	E8892	Protection blade	1	
52	14-1301	Self locknut UN	1	
53	E7573	Rubber plug (for protection blade stud hole)	1	TR6R, T120R

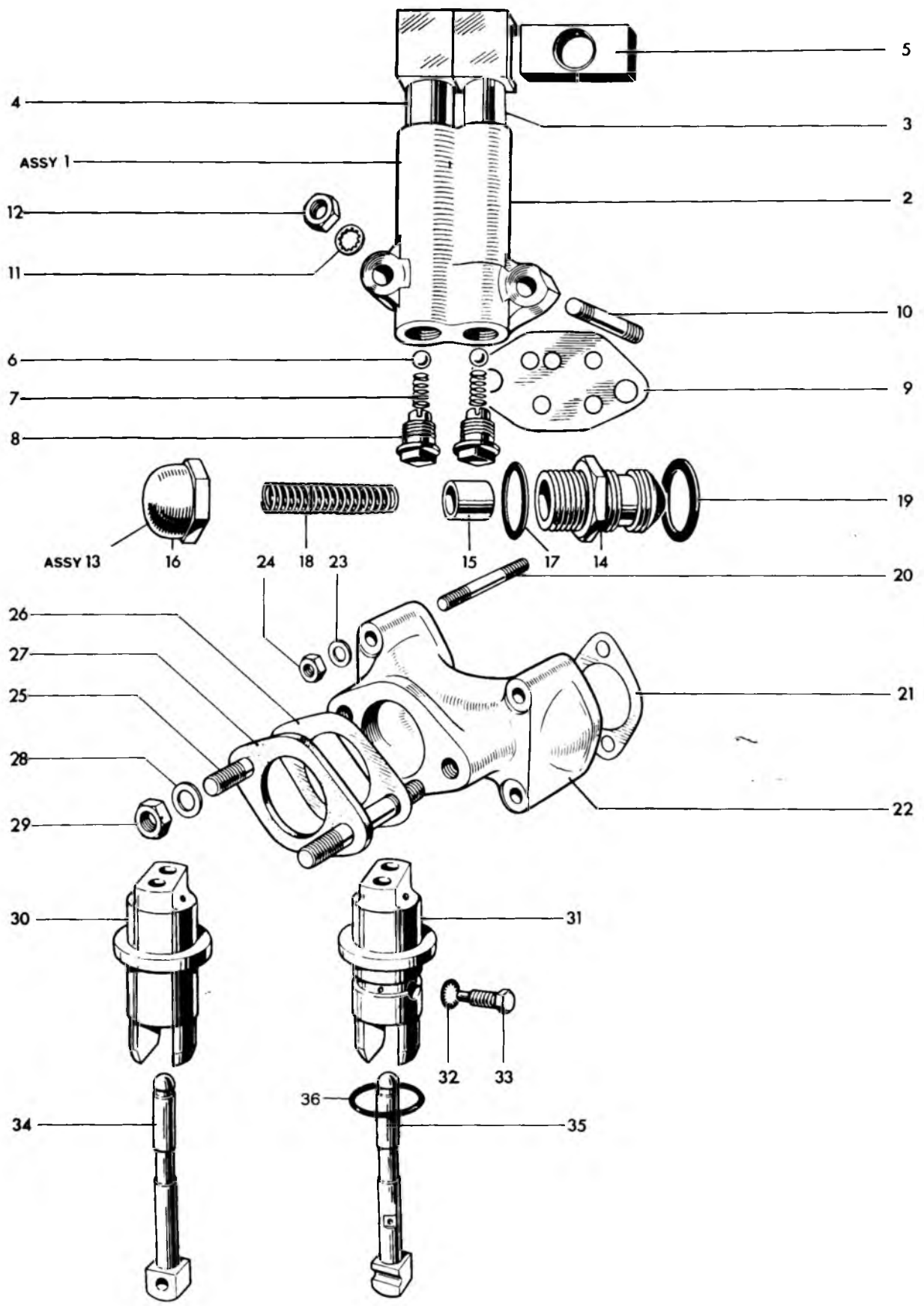


Fig. 3. OIL PUMP, RELEASE VALVE, MANIFOLD AND TAPPETS

Ref. No.	Part No.	DESCRIPTION	QUANTITY	REMARKS
----------	----------	-------------	----------	---------

OIL PUMP, RELEASE VALVE, MANIFOLD AND TAPPETS

1	E6928	OIL PUMP	1	
2	Reference only 70-6680	Pump body...	1	
3	GS153	Feed plunger	1	
4	E6681	Scavenge plunger	1	
5	E495	Drive block	1	
6	S70-7 60-2363	Valve ball ($\frac{7}{32}$ in. dia.)	2	
7	E403	Valve spring	2	
8	E2360	Screwed plug	2	
9	E3730 71-1461	Joint washer	1	
10	S1864	Oil pump stud ($1\frac{5}{16}$ in. U.H.)	2	
11	E3887	Serrated washer	2	
12	S1906	Nut	2	
13	E6595	OIL RELEASE VALVE	1	
14	E7590	Valve body	1	
15	GS251 70-8752	Piston	1	
16	E6596	Cap	1	
17	GS254 70-8754	Fibre washer	1	
18	E7591	Main spring	1	
19	E1670 60-3355	Fibre washer	1	
20	S1876	Stud ($1\frac{1}{8}$ in. O.A.)	4	
21	E5660	Joint washer	2	} TR6R & TR6C
22	E5512	Inlet manifold	1	
23	S25-13 60-4248	Plain washer	4	
24	S1877	Nut	4	
25	E2962	Stud ($1\frac{7}{32}$ in. O.A.)	2	
26	NA437 71-1416	Joint washer	1	
27	E4918	Insulating block	1	
28	S25-360-4247	Plain washer Serrated washer	2	
29	E1310	Nut	2	
30	E9352	Inlet tappet guide	1	
31	E9353	Exhaust tappet guide	1	
32	E4642	Serrated washer	2	
33	H200	Set bolt	2	
34	E3059R 70-3059/014	Inlet tappet	2	
35	E8801	Exhaust tappet	2	
36	E7563	"O" ring	2	

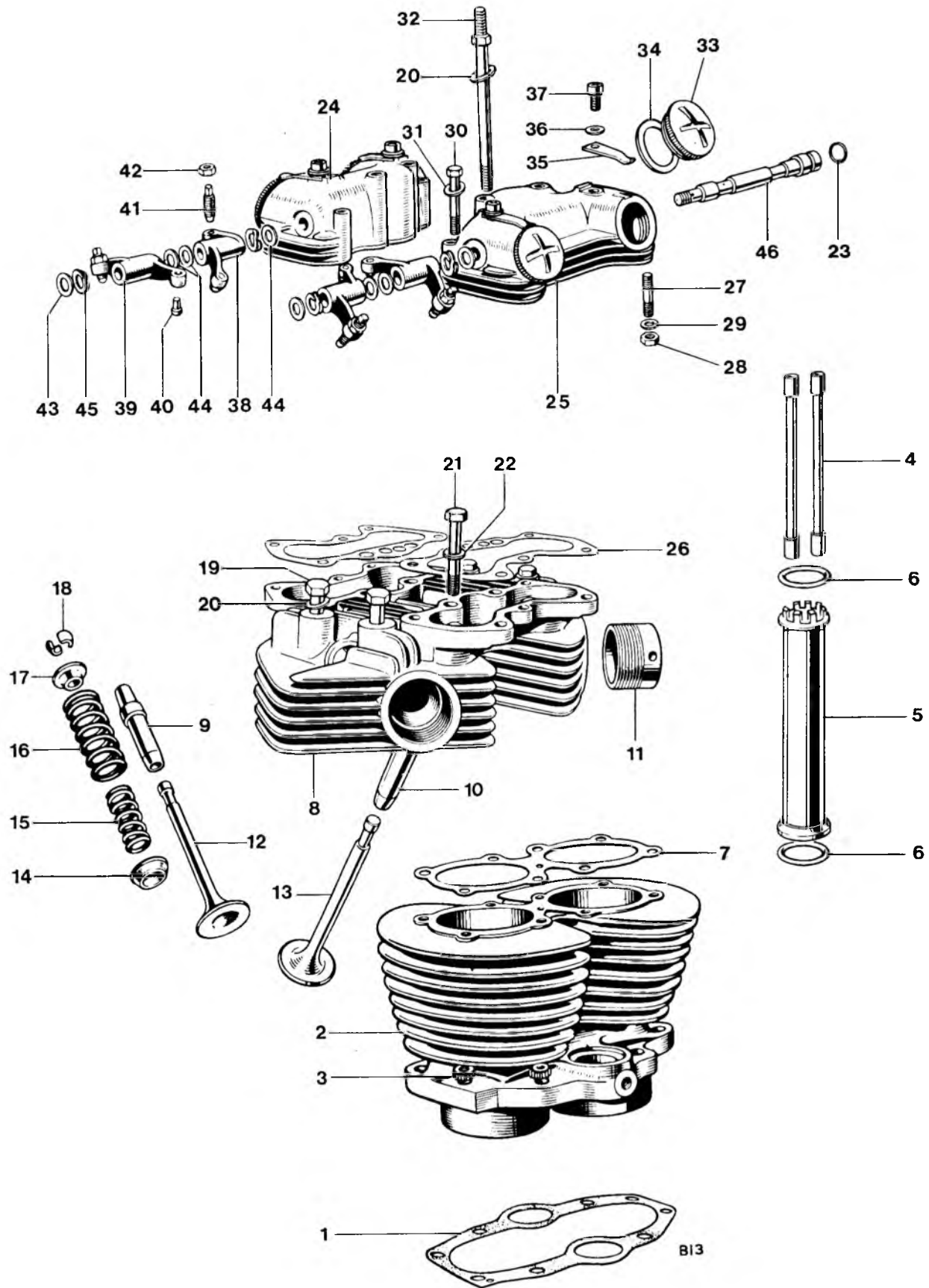


Fig. 4. CYLINDER BLOCK AND HEAD, TR6

CYLINDER BLOCK AND HEAD, TR6R, TR6C

1	E6309	Cylinder base washer	1	
2	E6304	Cylinder block	1	
3	S692	Cylinder base nut	8	
4	E2620	Push rod	4	
5	E9349	Cover tube	2	
6	E7310	Rubber washer	4	
7	E4547	Cylinder head gasket	1	
8	E9362	CYLINDER HEAD c/w GUIDES	1	
9	E2899 <i>71-3292</i>	Inlet valve guide	2	
10	E2900 <i>71-3293</i>	Exhaust valve guide	2	
11	E9516	Exhaust pipe adaptor	2	
12	E4603	Inlet valve	2	
13	E2904	Exhaust valve	2	
14	E6439	Bottom cup	4	
15	E4221	Inner valve spring (red spot)	4	
16	E7400	Outer valve spring (green spot)	4	
17	E1543	Top collar	4	
18	WE259A <i>71-3748</i>	Split cotter	8	
19	E327	Cylinder head bolt (3 $\frac{3}{8}$ in. U.H.)	4	
20	F2184	Plain washer	8	
21	E4771	Bolt (3 in. U.H.)	1	
22	S25-3 <i>60-4247</i>	Plain washer	1	
23	E3253 <i>60-3548</i>	Sealing ring	2	
24	E4550	Inlet rocker box	1	
25	E4551	Exhaust rocker box	1	
26	E9348	Joint washer	2	
27	E2980	Rocker box stud ($\frac{1}{8}$ in. O.A.)	6	
28	F879	Rocker box nut... ..	6	
29	E3302	Plain washer	6	
30	S1875	Rocker box bolt (2 $\frac{5}{32}$ in. U.H.)	4	
31	S25-13 <i>60-4248</i>	Plain washer	4	
32	E1596	Cylinder head bolt (for torque stay)	4	
33	E4610	Inspection cap	4	
34	E3751	Joint washer	4	
35	E4609	Locking spring	4	
36	WE170 <i>60-4263</i>	Fibre washer	4	
37	T1553	Screw ($\frac{3}{8}$ in. U.H.)	4	
38	E1457	ROCKER (right exhaust, left inlet)	2	
39	E1458	ROCKER (left exhaust, right inlet)	2	
40	E10070	Rocker ball pin	4	
41	E1513	Rocker adjusting pin	4	
42	E470	Adjuster lock nut	4	
43	E1330	Thrust washer, $\frac{3}{8}$ in.	2	
44	E1575	Thrust washer, $\frac{1}{2}$ in.	6	
45	E1574	Spring washer	4	
46	E1512	Rocker spindle	2	

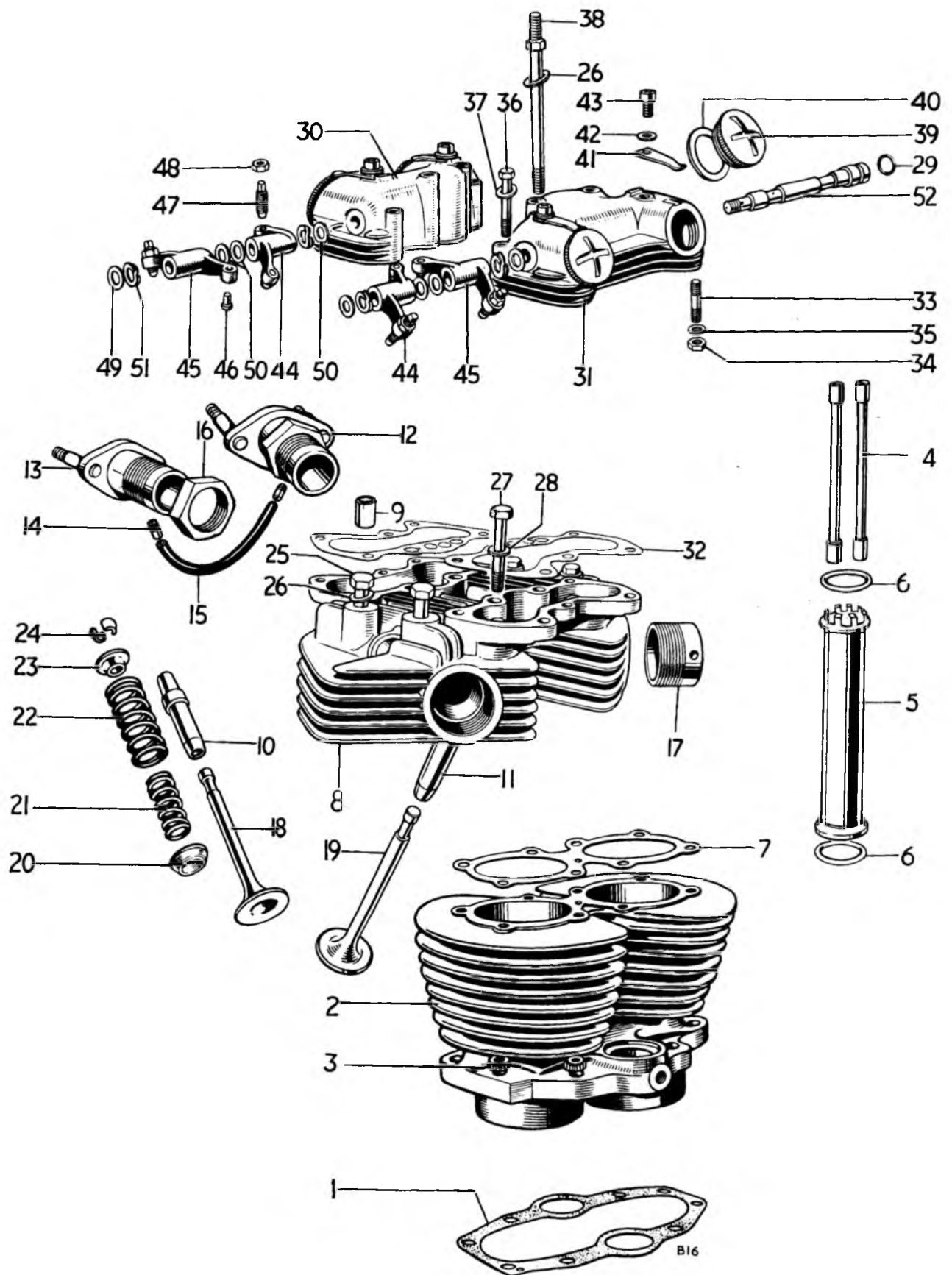


Fig. 5. CYLINDER BLOCK AND HEAD, T120R

Ref. No.	Part No.	DESCRIPTION	QUANTITY	REMARKS
CYLINDER BLOCK AND HEAD, T120R				
1	E6309	Cylinder base washer	1	
2	E6304	Cylinder block	1	
3	S692	Cylinder base nut	8	
4	E2620	Push rod	4	
5	E9349	Cover tube	2	
6	E7310	Rubber washer	4	
7	E4577 70-4547	Cylinder head gasket	1	
8	E9418 71-2336	CYLINDER HEAD c/w GUIDES	1	
9	E5347	Sleeve for head bolts passing through inlet tracts	2	Reference only
10	E3827 71-3294	Inlet valve guide	2	
11	E3828 71-3295	Exhaust valve guide	2	
12	E9550	Carburetter adaptor, left	1	
13	E9551	Carburetter adaptor, right	1	
14	E6916	Connector	2	
15	E4792	Balance pipe	1	
16	E4600 21-1932	Adaptor locking nut	2	
17	E9516	Exhaust pipe adaptor	2	
18	E4603	Inlet valve	2	
19	E2904	Exhaust valve	2	
20	E6439	Bottom cup	4	
21	E4221	Inner valve spring (Red spot)	4	
22	E7400	Outer valve spring (green spot)	4	
23	E1543	Top collar	4	
24	WE259A 71-3748	Split cotter	8	
25	E327	Cylinder head bolt (3 $\frac{3}{8}$ in. U.H.)	4	
26	F2184	Plain washer	8	
27	E4771	Bolt (3 in. U.H.)	1	
28	S25-3 60-4247	Plain washer	1	
29	E3253 60-3548	Sealing ring	2	
30	E4550	Inlet rocker box	1	
31	E4551	Exhaust rocker box	1	
32	E9348	Joint washer	2	
33	E2980	Rocker box stud ($\frac{15}{16}$ in. O.A.)	6	
34	F879	Nut	6	
35	E3302	Plain washer	6	
36	S1875	Rocker box bolt (2 $\frac{5}{32}$ in. U.H.)	4	
37	S25-13 60-4248	Plain washer	4	
38	E1596	Cylinder head bolt (for torque stay)	4	
39	E4610 71-2744	Inspection cap	4	
40	E3751	Joint washer	4	
41	E4609	Locking spring	4	
42	WE170 60-4263	Fibre washer	4	
43	T1553	Screw ($\frac{3}{8}$ in. U.H.)	4	
44	E1457	ROCKER (right exhaust, left Inlet)	2	
45	E1458	ROCKER (left exhaust, right Inlet)	2	
46	E10070	Rocker ball pin	4	
47	E1513	Rocker adjusting pin	4	
48	E470	Adjuster lock nut	4	
49	E1330	Thrust washer, $\frac{3}{8}$ in.	2	
50	E1575	Thrust washer, $\frac{1}{2}$ in.	6	
51	E1574	Spring washer	4	
52	E1512	Rocker spindle	2	

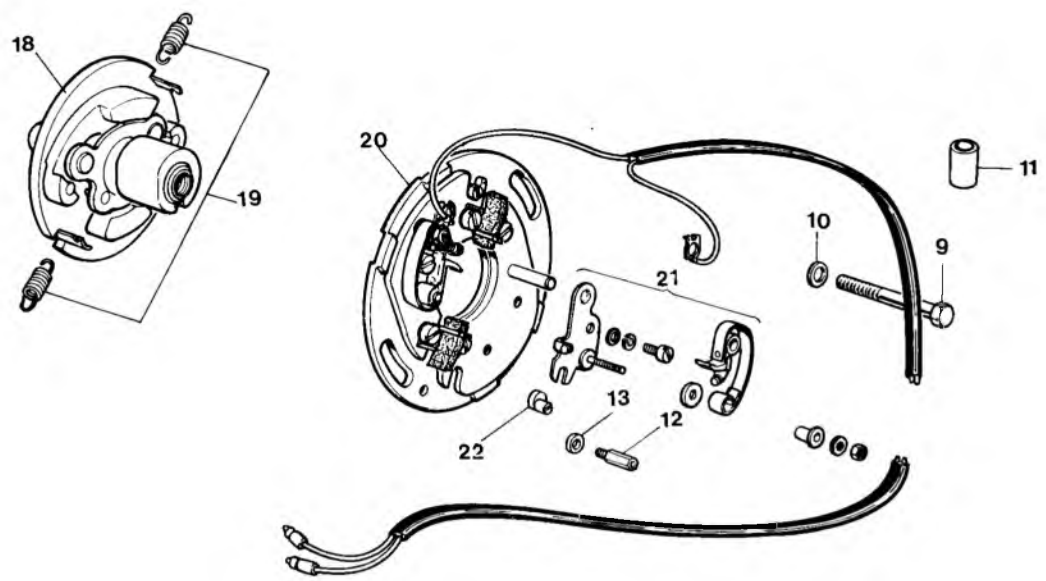
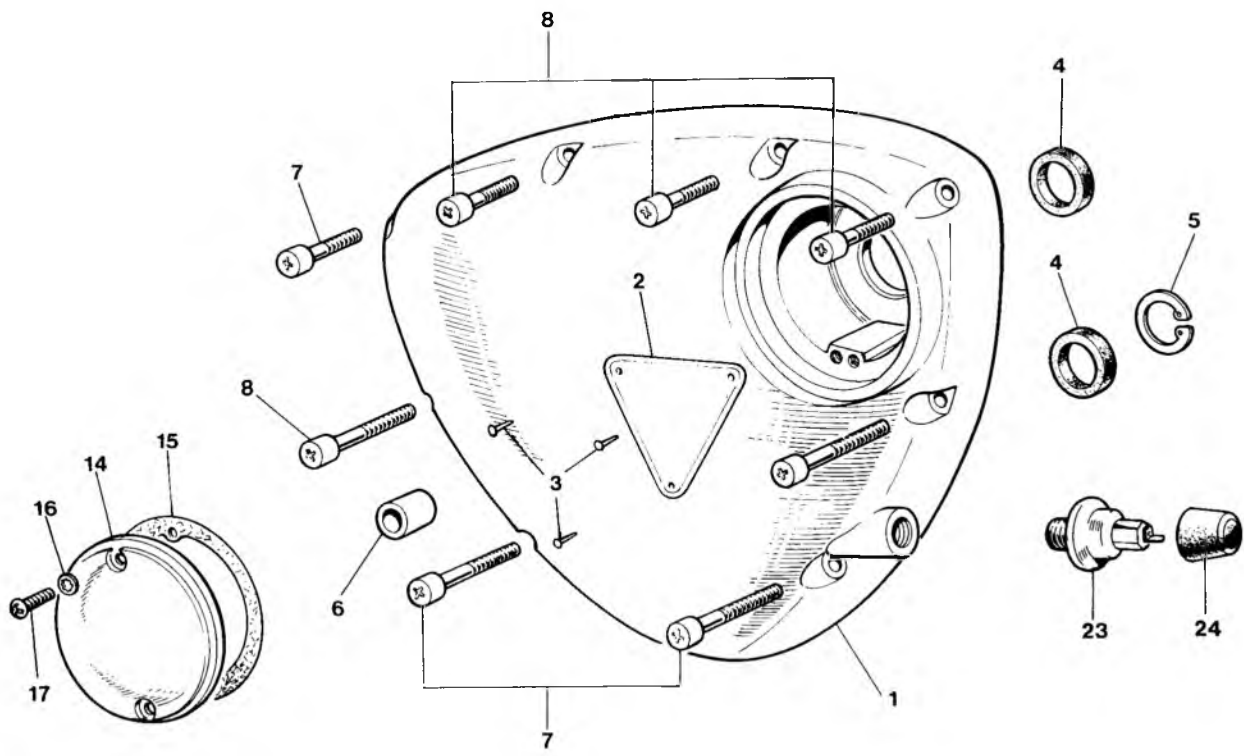


Fig. 6. TIMING COVER AND CONTACT BREAKER

TIMING COVER AND CONTACT BREAKER

1	E9246	Timing cover	1	
2	E4016	Patent plate	1	
3	D208-5 <i>60-4255</i>	Hammer-drive screw	3	
4	E4568	Oil seal	2	
4	E6387	Oil seal (0-020 in undersize)	1	For reground crankshaft
5	E4569	Circlip	1	
6	T989	Hollow dowel	1	
7	14-6609	Screw (1- $\frac{5}{8}$ in. U.H.)	3	
8	14-6608	Screw (1 in. U.H.)	5	
9	E8828	Bolt (2 in. U.H.)... ..	1	
10	S25-4370-8163	Plain washer	1	
11	E4707	Rubber grommet	1	
12	E7680	Pillar bolt	2	
13	E6559	Plain washer	2	
14	E8737	Cover	1	
15	E5049 <i>71-1462</i>	Joint washer	1	
16	GS299 <i>60-4256</i>	Serrated washer	2	
17	E7354	Screw ($\frac{13}{32}$ in. U.H.)	2	
18	99-0771	AUTO ADVANCE UNIT (<u>54419340</u>)	1	
19	99-0757	USE Spring set (<u>54415642</u>)	1	
20	99-0768	LUCAS CONTACT BREAKER PLATE ASSEMBLY (<u>54419097</u>)	1	
21	99-0772	Contact set (<u>54419827</u>)	2	
22	99-0769	Pin, adjustment (<u>54419220</u>)	2	
—	E4849	Dowel pin for auto advance		Not illustrated
23	*D2133	Oil pressure switch	1	
24	D2045	Cover pressure switch	1	
—	D2138	Timing label for C.B. cover		Not illustrated

* E9526 Blanking plug available to replace oil switch if required

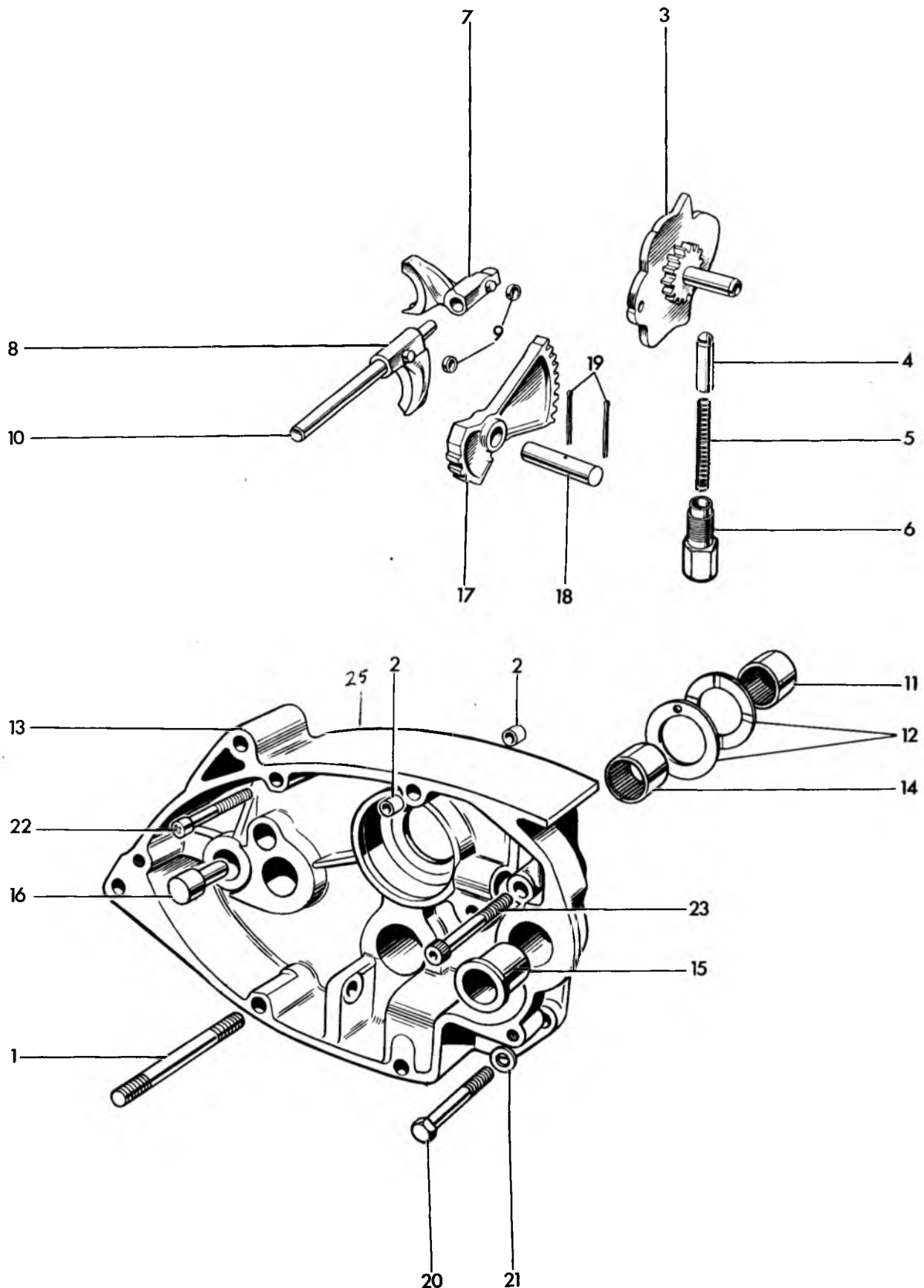


Fig. 7. GEARBOX INNER COVER AND SELECTORS

Ref. No.	Part No.	DESCRIPTION	QUANTITY	REMARKS
----------	----------	-------------	----------	---------

GEARBOX INNER COVER AND SELECTORS

1	14-1427	Stud (3 in. O.A.)	2	
2	T989	Hollow dowel	4	
3	T3650 57-4055	Gear selector camplate	1	
4	T3660	Camplate index plunger	1	
5	T3661	Index plunger spring	1	
5	T1604	Strong index plunger spring	as required	
6	T2172	Index plunger holder	1	
7	T260B 57-2596	Mainshaft selector fork	1	
8	T913 57-4307	Layshaft selector fork	1	
9	NT261 57-2595	Selector fork roller	2	
10	T291	Selector fork rod	1	
11	T1606	Layshaft bearing	1	
12	T1607	Thrust washer	2	
13	T3766	GEARBOX INNER COVER	1	
14	T1614	Layshaft bearing	1	
15	T412	Gearchange spindle bush...	1	
16	T45	Kickstarter stop	1	
17	T397	Camplate operating quadrant...	1	
18	T1896	Quadrant spindle	1	
19	$\frac{5}{64}$ in. x $1\frac{3}{8}$ in.	Split pin ... <i>CP. 5/64 X 1.1/2</i>	2	
20	S1907	Bolt ($1\frac{1}{8}$ in. U.H.)	1	
21	E3446	Plain washer	1	
22	14-6608	Screw (1 in. U.H.)	1	
23	14-7023	Socket screw ($1\frac{3}{8}$ in. U.H.)	1	
24	E3728 <i>M.L.A.</i>	Countersunk screw ($1\frac{1}{2}$ in. U.H.)	1	
25	CD534	<i>INNER TRANS GASKET</i>		

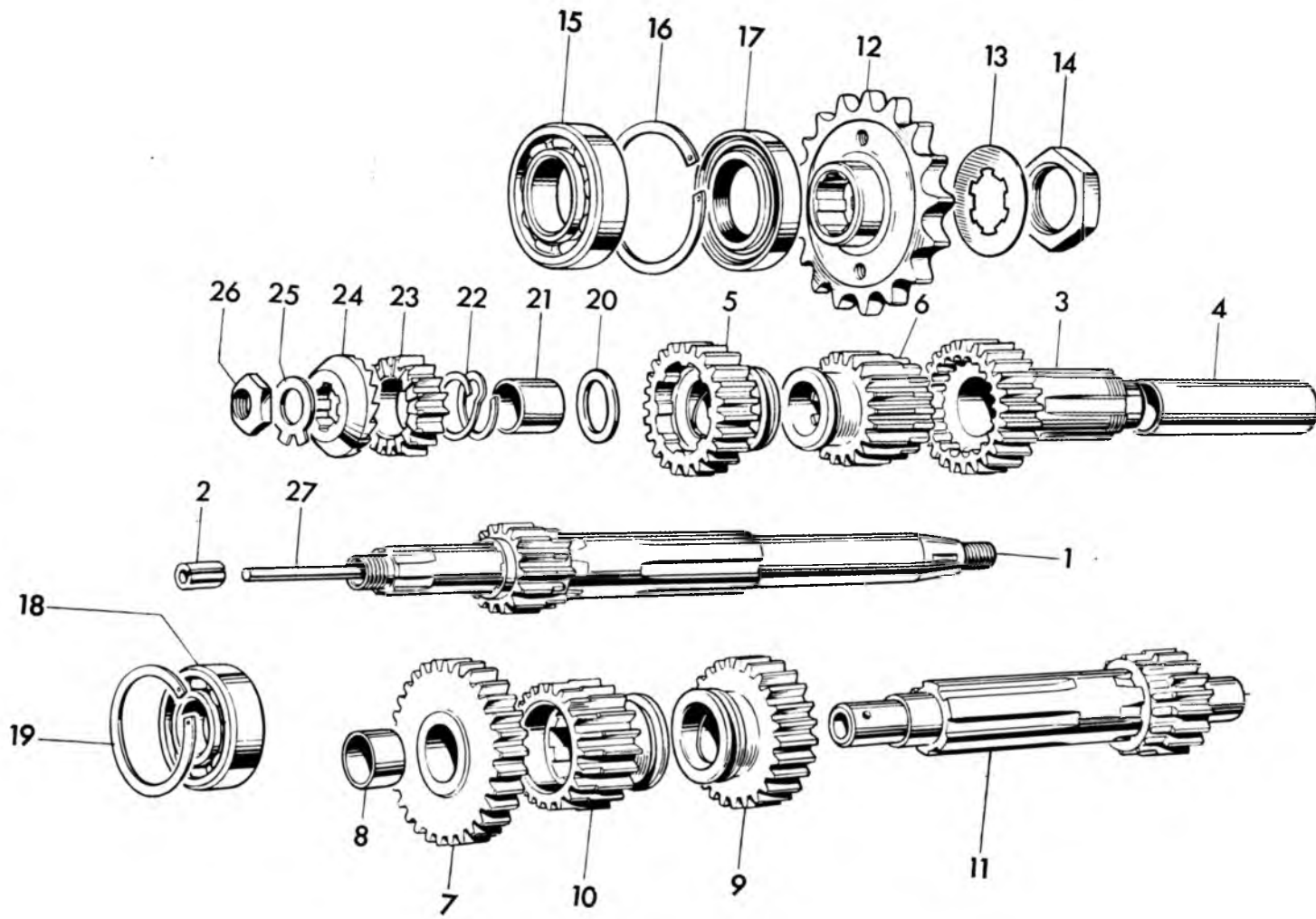


Fig. 8. GEARBOX SHAFTS AND GEARS

GEARBOX SHAFTS AND GEARS

1	T2436	MAINSHAFT c/w LOW GEAR (16T)	1	
2	PT108B 57-3988	Clutch rod bush	1	
3	T2316 57-3891	MAINSHAFT HIGH GEAR (26T)	1	
4	T1370	High gear bush	1	
5	T2378 57-3899	Mainshaft third gear (24T)	1	
6	T916 57-3857	Mainshaft second gear (20T)	1	
7	T926 57-3862	LAYSHAFT LOW GEAR (30T)	1	
8	T928	Low gear bush	1	
9	T1065 57-3841	Layshaft second gear (26T)	1	
10	T2379	Layshaft third gear (22T)	1	
11	T2093 57-4155	Layshaft c/w high gear (20T)	1	
12	T1952	Gearbox sprocket (15 teeth)	1	
12	T1953	Gearbox sprocket (16 teeth)	1	
12	T1916 57-1914	Gearbox sprocket (17 teeth)	1	} See pages 5 to 7 for standard sizes
12	T1917 57-1917	Gearbox sprocket (18 teeth)	1	
12	T1918 57-1918	Gearbox sprocket (19 teeth)	1	
12	T1919 57-1919	Gearbox sprocket (20 teeth)	1	
13	T2116	Tab washer	1	
14	T440	Gearbox sprocket nut	1	
15	T448	High gear bearing	1	
16	E489 70-0499	Circlip	1	
17	T946	Oil seal	1	
18	S35-7 60-3552	Mainshaft bearing	1	
19	T280	Circlip	1	
20	T1962	Plain washer	1	
21	T1963	Pinion sleeve	1	
22	T1250	Pinion spring	1	
23	T730	Kickstarter pinion	1	
24	T731	Kickstarter ratchet	1	
25	T2240	Tab washer	1	
26	S594	Nut	1	
27	T1736	Clutch operating rod	1	

WIDE RATIO GEARS

3	T2530	MAINSHAFT HIGH GEAR (28T)	1	
6	T968	Mainshaft second gear (19T)	1	
9	T974	Layshaft second gear (27T)	1	
11	T1844	Layshaft c/w high gear (18T)	1	

CLOSE RATIO GEARS

1	T2438	MAINSHAFT c/w LOW GEAR (18T)	1	
3	T2528	MAINSHAFT HIGH GEAR (24T)	1	
5	T1179 57-4169	Mainshaft third gear (23T)	1	
6	T955	Mainshaft second gear (21T)	1	
7	T961	LAYSHAFT LOW GEAR (28T)	1	
9	T963	Layshaft second gear (25T)	1	
10	T964	Layshaft third gear (23T)	1	
11	T1845	Layshaft c/w high gear (22T)	1	

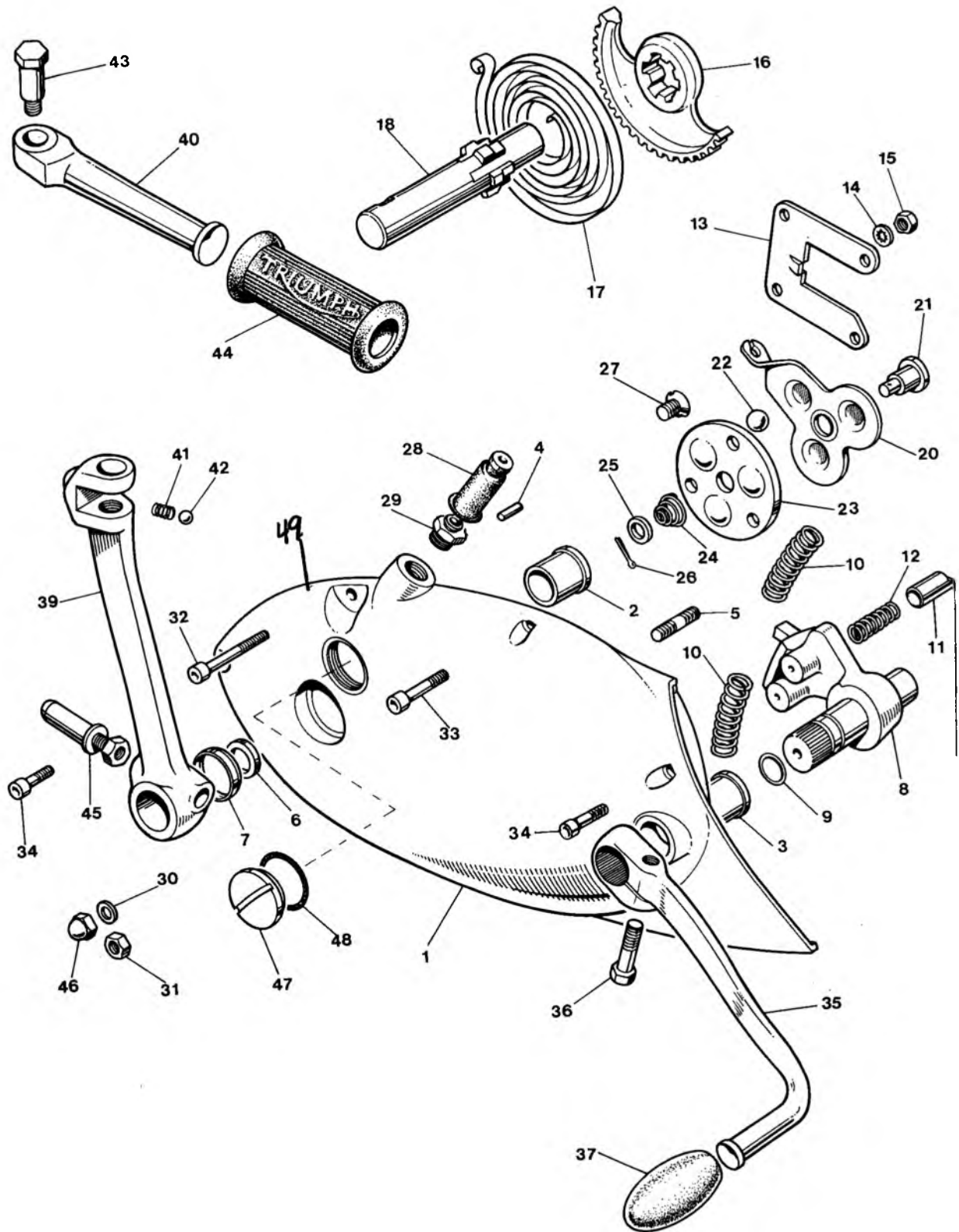


Fig. 9. GEARBOX OUTER COVER

GEARBOX OUTER COVER

1	T3760	GEARBOX OUTER COVER	1	
2	T57	Gearchange spindle bush...	1	
3	T23	Kickstarter spindle bush	1	
4	T47	Kickstarter spring anchor pin	1	
5	S547	Guide plate stud ($\frac{7}{8}$ in. O.A.)	4	
6	T1956	Oil seal	1	
7	T1955	Oil seal housing	1	
8	T408/957-0408/609	Gearchange quadrant	1	
9	E330960-3530	Rubber "O" ring	1	
10	T404	Quadrant return spring	2	
11	T406	Gearchange quadrant plunger	2	
12	T405	Plunger spring	2	
13	T407	Guide plate	1	
14	E1612	Serrated washer	4	
15	14-0301	Nut	4	
16	T25A57-0025/001	Kickstarter quadrant 57-4117	1	
17	T31	Kickstarter return spring	1	
18	T24A57-4756	Kickstarter axle	1	
19	T362957-4587	CLUTCH LEVER ASSEMBLY	1	
20	T2191 57-4441	Clutch lever	1	
21	T1710	Lever shaft	1	
22	T1771 60-2368	Ball, $\frac{3}{8}$ in. diam.	3	
23	T1711 57-4589	Thrust plate	1	
24	T1712	Return spring	1	
25	GS127 57-3673	Plain washer	1	
26	$\frac{5}{64}$ in. x $\frac{1}{2}$ in.	Split pin	1	
27	S1879	Countersunk screw ($\frac{13}{32}$ in. O.A.)	2	
28	T1646	Rubber cover	1	
29	T3762	Abutment for clutch cable	1	
30	S25-360-4247	Plain washer	2	
31	14-0302	Nut	1	
32	S1878	Screw ($2\frac{3}{4}$ in. U.H.)	2	
33	14-6609	Screw ($1\frac{5}{16}$ in. U.H.)	2	
34	14-6608	Screw (1 in. U.H.)	1	
35	T3757 57-7010	Gearchange pedal	1	
36	W932 14-0201	Bolt (1 in. U.H.)	1	
37	T2450	Pedal rubber	1	
38	T363257-7018	FOLDING KICKSTARTER	1	
39	T2173 57-2173	Kickstarter lever	1	
40	T1272 57-7018	Kickstarter pedal	1	
41	T1167	Pedal locating spring	1	
42	S70-3 60-2364	Steel ball, $\frac{1}{4}$ in. diam.	1	
43	S541	Pedal bolt	1	
44	T2330	Pedal rubber	1	
* 45	T1222 57-4356	Cotter pin c/w nut and washer	1	
46	S544	Domed nut	1	
47	T2166	Filler plug	1	
48	E8782	Filler washer "O" RING	1	
* 49	82-0879	NUT ONLY		
	CD535	GASKET - OUTER COVER		

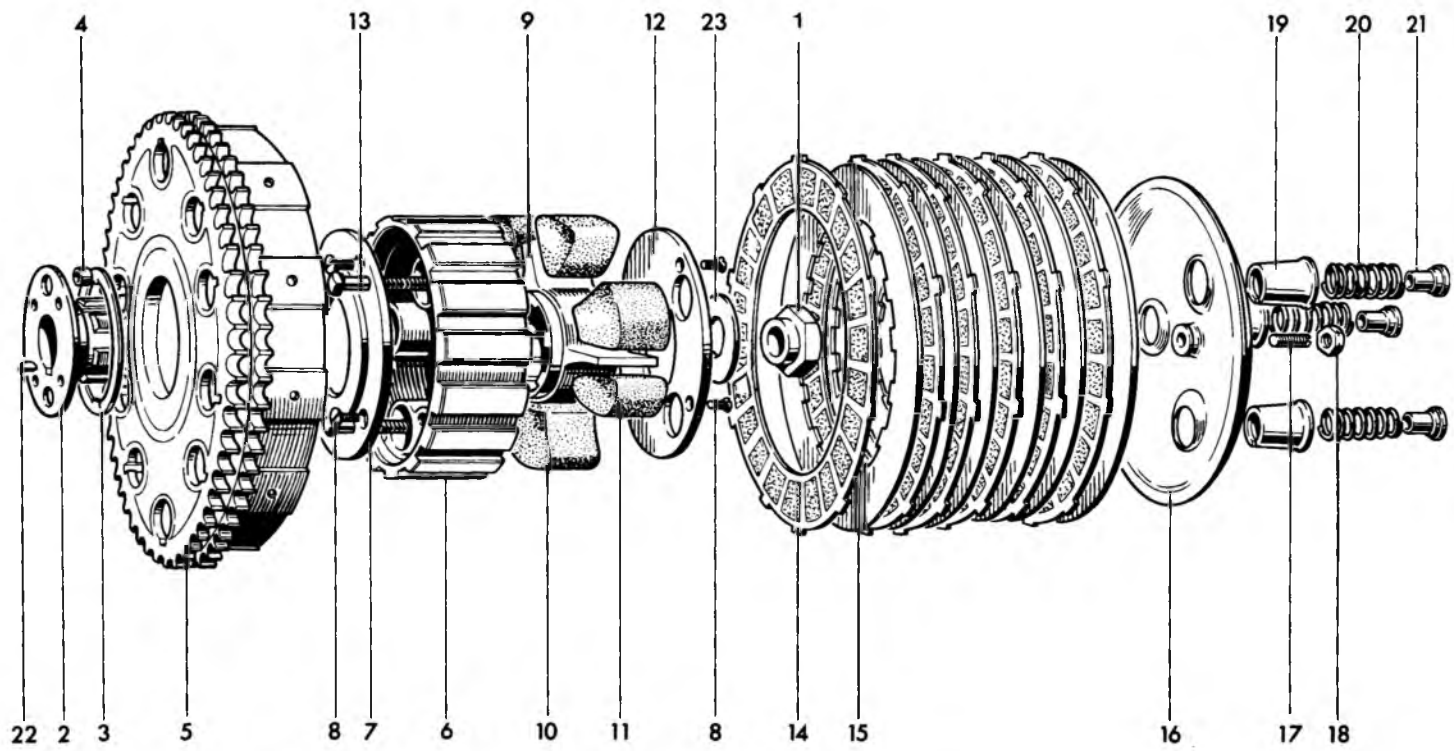


Fig. 10. CLUTCH

Ref. No.	Part No.	DESCRIPTION	QUANTITY	REMARKS
CLUTCH				
1	S586	Clutch securing nut	1	
2	T1734	Hub	1	
3	T1735	Thrust washer	1	
4	T394	Roller	20	
5	T1570	Sprocket and housing (58 teeth Duplex)	1	
6	T1719	Centre	1	
7	T1720	Inner plate	1	
8	T1040	Countersunk screw (0-417 in. U.H.)	6	
9	T2538	Shock absorber spider	1	
10	T1722	Drive rubber (large)	3	
11	T1723	Rebound rubber (small)	3	
12	T1724	Outer plate	1	
13	T423A 57-4754	Screwed pin ($1\frac{27}{32}$ in. U.H.)	3	
14	T1362 57-4763	Driving plate (bonded)	6	
15	T1363	Driven plate	6	
16	T2156	Pressure plate	1	
17	T2159	Adjuster pin	1	
18	14-0403	Nut	1	
19	T1931	Spring cup	3	
20	T1830	Spring	3	
21	T2526	Pressure nut	3	
22	S66-160-4253	Key	1	
23	T2279	Cupped washer	1	

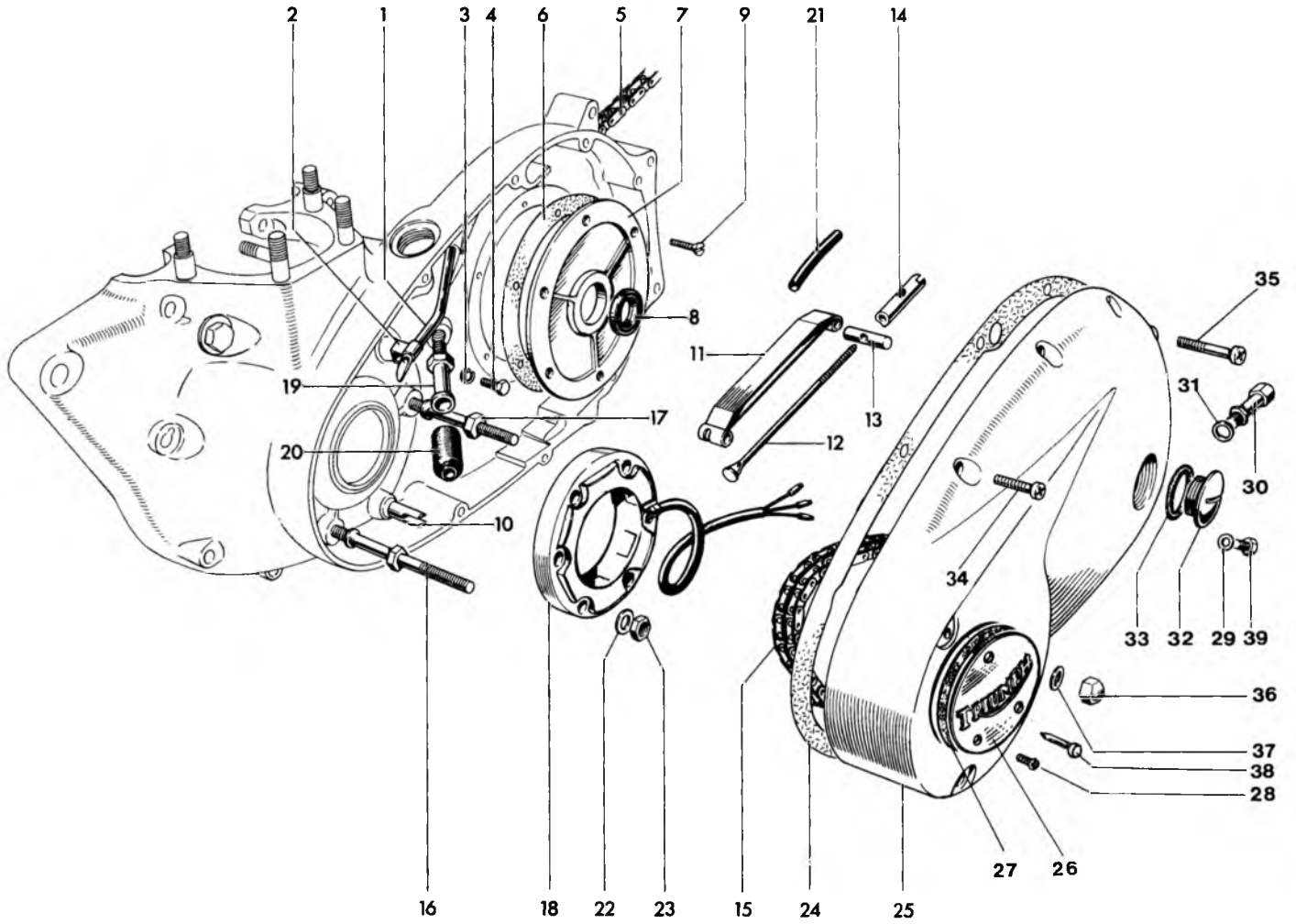


Fig. 11. CHAINCASE AND CHAINS

CHAINCASE AND CHAINS

1	E4704	Primary chain oiler tube	1	
2	E4705	Clip	1	
3	S26-260-4250	Spring washer	1	
4	14-0101	Bolt ($\frac{7}{8}$ in. U.H.)	2	
5	D530	Rear chain, $\frac{5}{8}$ in. x $\frac{3}{8}$ in. x 104 links	1	
6	E383271-1419	Joint washer	1	
7	E7037	Cover plate	1	
8	E7565	Oil seal	1	
9	E3821	Countersunk screw ($\frac{5}{16}$ in. U.H.)	6	
10	E5976 70-5087	Chain tensioner abutment	1	
11	E6061	Chain tensioner blade	1	
12	E4152	Tie rod	1	
13	E5977	Trunnion	1	
14	E9703	Adjuster sleeve nut	1	
15	D477	Primary chain, $\frac{3}{8}$ in. Duplex x 84 links	1	
16	S1866	Stator stud ($4\frac{1}{2}$ in. O.A.)	2	
17	S1867	Stator stud	1	
18	99-4006 47205	Stator, RM21 (47205)	1	
19	E8992 70-9360	Sleeve nut	1	
20	E4144	Rubber grommet	1	
21	E5449	Plastic sleeve	1	
22	S25-360-4247	Plain washer	3	
23	14-0702	Self-locking nut	3	
24	T1770 71-1463	Joint washer	1	
25	E9245 71-4072	Chaincase	1	
26	T2440	Rotor cover	1	
27	T2442 71-1457	Joint washer	1	
28	F4129	Screw	3	
29	E2441	Copper washer	1	
30	T2559 57-3619	Drain and adjuster plug	1	
31	T1738	Fibre washer	1	
32	T2166	Filler plug	1	
33	E8782	Fibre washer "O" RING	1	
34	14-6608	Screw (1 in. U.H.)	6	
35	14-6620	Screw ($\frac{3}{4}$ in. U.H.)	2	
36	S544	Domed nut	2	
37	F1880	Copper washer	2	
38	T2443	Timing pointer	1	
39	14-6101	Level plug	1	

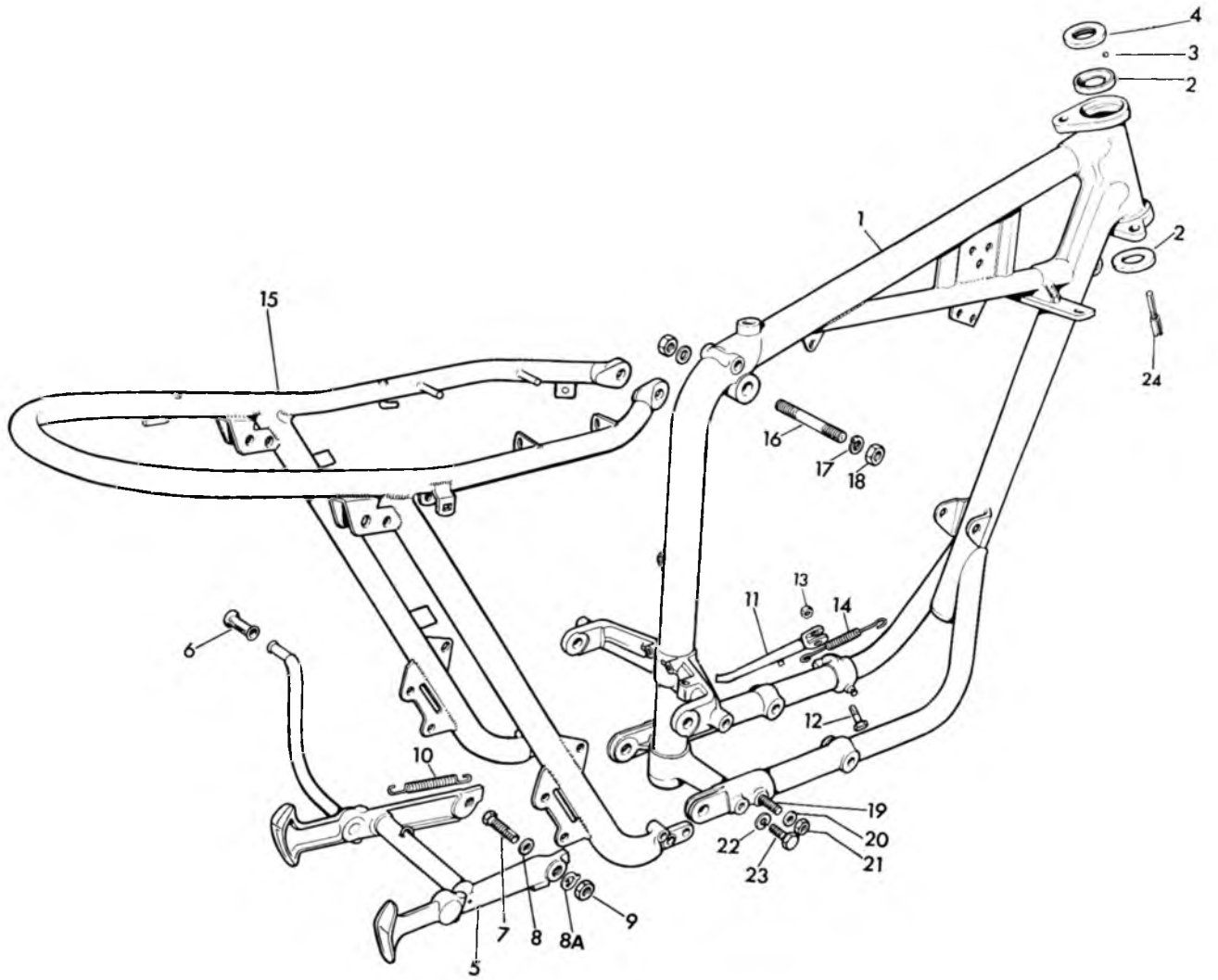


Fig. 12. FRAME

Ref. No.	Part No.	DESCRIPTION	QUANTITY	REMARKS
FRAME				
1	F7843	Front frame	1	
2	H111	Steering race cup	2	
3	S70-3 60-2364	Steel ball ($\frac{1}{4}$ in. diam.)	40	
4	H1018	Top cone and dust cover	1	
* 5	F11267	Centre stand	1	
6	T2331	Pedal rubber	1	
7	S1978 21-1972	Pivot bolt	2	
8	F5679	Plain washer	2	
* 8A	F11270	Tab washer	2	
* 9	14-0404	Nut	2	
10	F4671	Return spring	1	
11	F7849 93-1560	Prop stand	1	
12	F7021	Pivot bolt	1	
13	14-0703	Self locking nut	1	
14	F8392	Return spring	1	
15	F8036	Rear frame	1	
16	S1801	Stud ($3\frac{7}{8}$ in. O.A.)	1	
17	S26-1 60-4259	Spring washer	2	
18	14-0303	Nut	2	
19	14-0251	Bolt ($2\frac{1}{8}$ in. U.H.)	2	
20	F4370	Plain washer	2	
21	14-0304	Nut	2	
22	PCW73A 60-4251	Spring washer	2	
23	S588	Bolt ($1\frac{3}{8}$ in. U.H.)	2	
24	F7155	Steering stop	2	

* EARLY SEASON'S MODELS USE BOLTS, TAB WASHERS, NUTS, IF REQUIRED SEPARATELY.

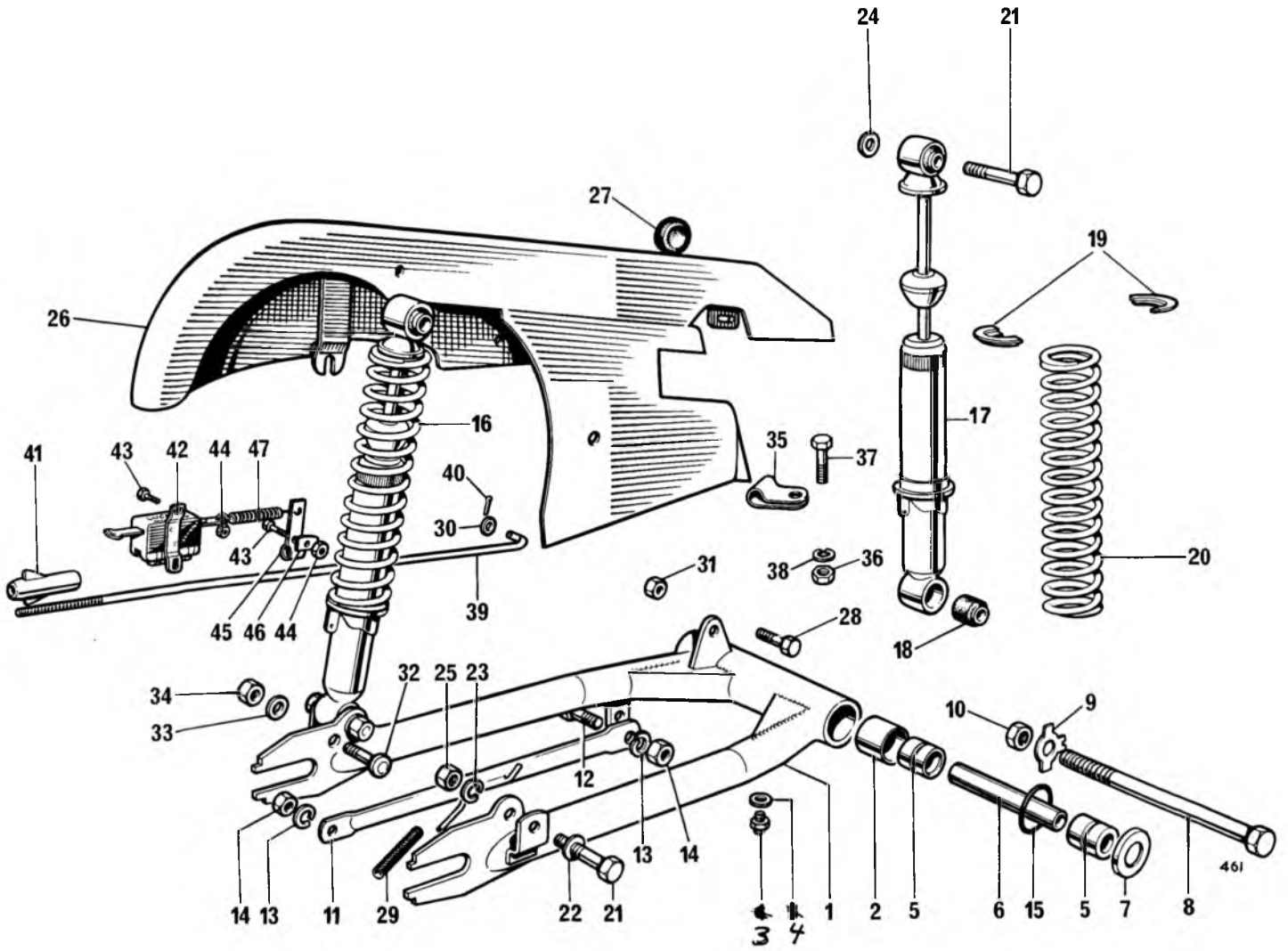


Fig. 13. SWINGING FORK AND SUSPENSION UNITS

SWINGING FORK AND SUSPENSION UNITS

1	F10045	SWINGING FORK	1	
2	F6042	Pivot bush	2	
3	NW10060-1941	Grease nipple	1	
4	WE17060-4243	Fibre washer	1	
5	F6821	Sleeve	2	
6	F5313	Distance tube	1	
7	F7848	Flanged washer	2	
8	S620	Bolt (8 $\frac{5}{8}$ in. U.H.)	1	
9	F5944	Tab washer	1	
10	S545	Nut	1	
11	F7365	Brake torque stay	1	
12	S1802	Bolt (3 $\frac{7}{8}$ in. U.H.)	1	
13	PCW73A60-4261	Spring washer	2	
14	14-0304	Nut	2	
15	F8090	"O" ring	2	
16	D2024 2107	SUSPENSION UNIT (64052107)	2	
17	Reference only	Damper unit	2	64054465
18	99-0122	Bonded bush (64533645)	4	
19	99-0107	Spring retainer (9054171)	4	
20	99-1048	Spring 100 lbs. chrome (64543708)	2	
20	99-1047	Spring, 145 lbs. chrome heavy duty (64544234)	Available	
21	14-0235	Unit fixing bolt (1 $\frac{5}{16}$ in. U.H.)	4	
22	S25-260-4246	Plain washer	2	
23	S26-160-4259	Spring washer	2	
24	GS308 70-9770	Plain washer	3	
25	14-0303	Nut	4	
26	F7067	Chainguard	1	
27	F5536	Grommet	1	
28	14-0113	Bolt (1 $\frac{1}{8}$ in. U.H.)	1	
29	F7364 82-9997	Rubber tube	1	
30	S25-1360-4248	Plain washer	1	
31	14-0702	Self-locking nut	1	
32	F9387	Stepped bolt	1	
33	S25-360-4247	Plain washer	1	
34	14-0302	Nut	1	
35	F3808	Clip	1	
36	F879	Nut	1	
37	F1369	Bolt (5 $\frac{1}{8}$ in. U.H.)	1	
38	S26-260-4250	Spring washer	1	
39	F7386 83-1925	Brake operating rod	1	
40	$\frac{1}{8}$ in. x $\frac{3}{8}$ in.	Split pin .. CP 1/16 x 1/2	1	
41	F7387	Adjuster nut	1	
42	99-0725	Stop lamp switch, type 22B (54033234)	1	
43	T1076	Screw (3 $\frac{1}{8}$ in. U.H.)	3	
44	F4717	Self locking nut	5	
45	F5412 82-5697	Switch lever	1	
46	F5413	"D" washer	1	
47	F3158	Spring (315738)	1	

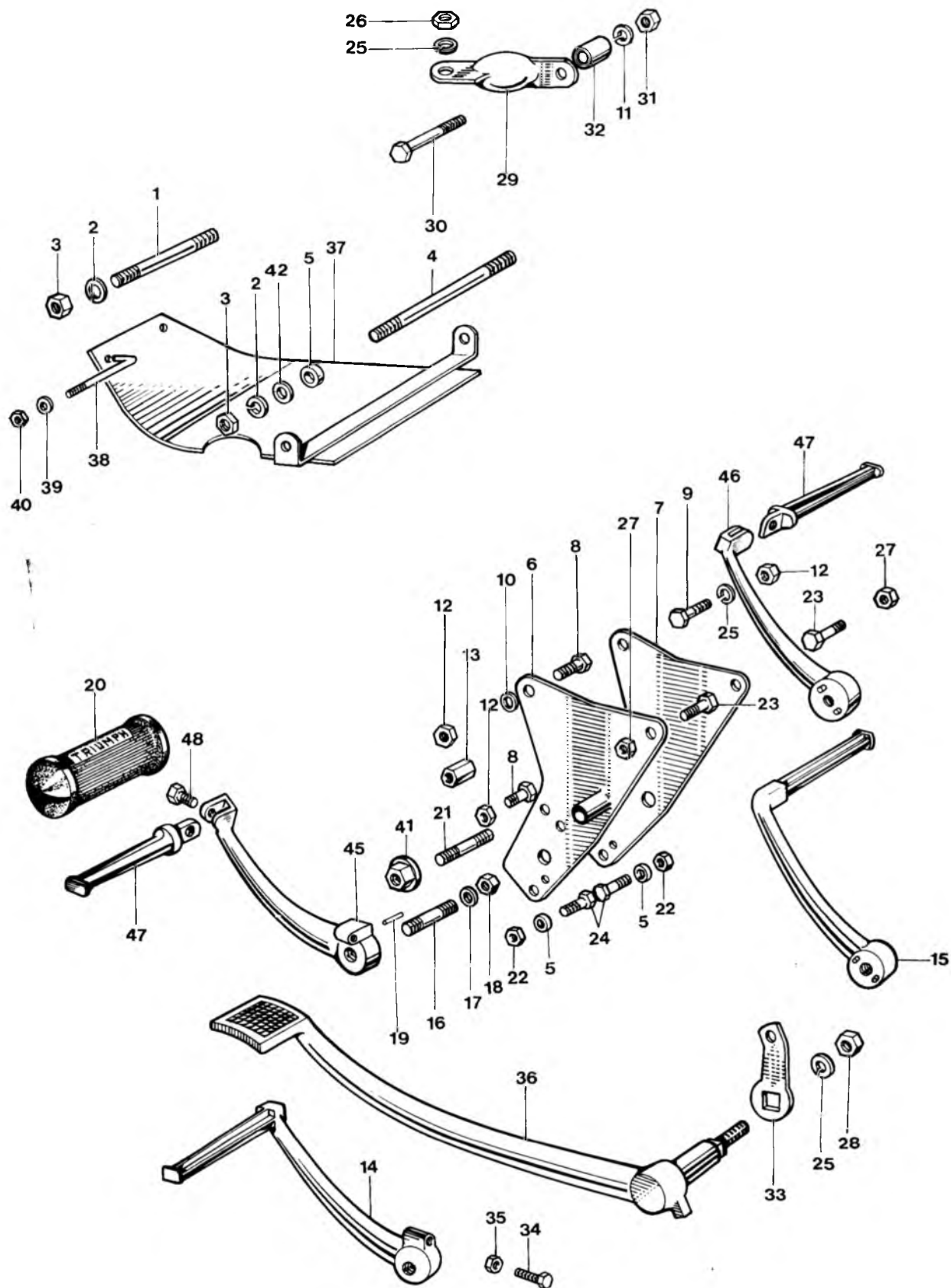


Fig. 14. ENGINE UNIT FITTING AND FOOTRESTS

ENGINE UNIT FITTINGS AND FOOTRESTS

1	F5469	Stud (3 $\frac{5}{8}$ in. O.A.)	1	
2	PCW73A60-4251	Spring washer	4	
3	DS47 60-4268	Nut	4	
4	F6498	Stud (8 $\frac{1}{8}$ in. O.A.)	1	
5	F5532	Distance piece	2	
6	F6066	Left rear engine plate	1	
7	F5908	Right rear engine plate	1	
8	14-0220	Bolt (1 $\frac{3}{8}$ in. U.H.)	2	
9	14-0221	Bolt (2 in. U.H.)	2	
10	S25-3 60-4247	Plain washer	4	
11	S26-3 60-4260	Spring washer	6	
12	14-0302	Nut	4	(3 on TR6C)
13	S1933	Extended nut	1	(TR6C only)
14	F9736	Left footrest	1	
15	F9624	Right footrest	1	
16	S1800 14-0145	Stud (1 $\frac{9}{16}$ in. O.A.)	2	
17	S25-6 37-2027	Plain washer	2	
18	14-0305	Nut	2	
19	F5943	Peg	4	
20	NF70482-9279	Footrest rubber	2	
21	S548	Stud (1 $\frac{3}{8}$ in. O.A.)	2	
22	14-0303	Nut	1	
23	14-0126	Bolt ($\frac{3}{4}$ in. U.H.)	1	
24	14-0234	Bolt (1 $\frac{3}{4}$ in. U.H.)	2	
25	S26-1 60-4259	Spring washer	9	
26	S1-52 60-4261	Nut	4	
27	14-0403	Nut	2	
28	P0172A 99-0047	Nut	3	
29	E4778	Engine torque stay	4	
30	14-0218	Bolt (1 $\frac{5}{8}$ in. U.H.)	2	
31	14-0302	Nut	2	
32	F306982-9092	Distance piece	4	
33	F6064	Brake pedal lever	1	
34	14-0105	Bolt (1 $\frac{5}{8}$ in. U.H.)	1	
35	14-0401	Nut	1	
36	F6449	Brake pedal	1	
37	F10040	Crankcase undershield...	1	
38	F5788	Hook bolt	2	} TR6C
39	S25-1 60-4245	Plain washer	2	
40	F879	Nut	2	
41	F7389	Nut	2	
42	F4370	Plain washer	2	
43	F6653	LEFT FOOTREST ASSEMBLY	1	} TR6C
44	F6654	RIGHT FOOTREST ASSEMBLY	1	
45	F6409	Left footrest	1	
46	F6410	Right footrest	1	
47	F6411	Footrest pedal	2	
48	F6655	Pivot bolt	2	

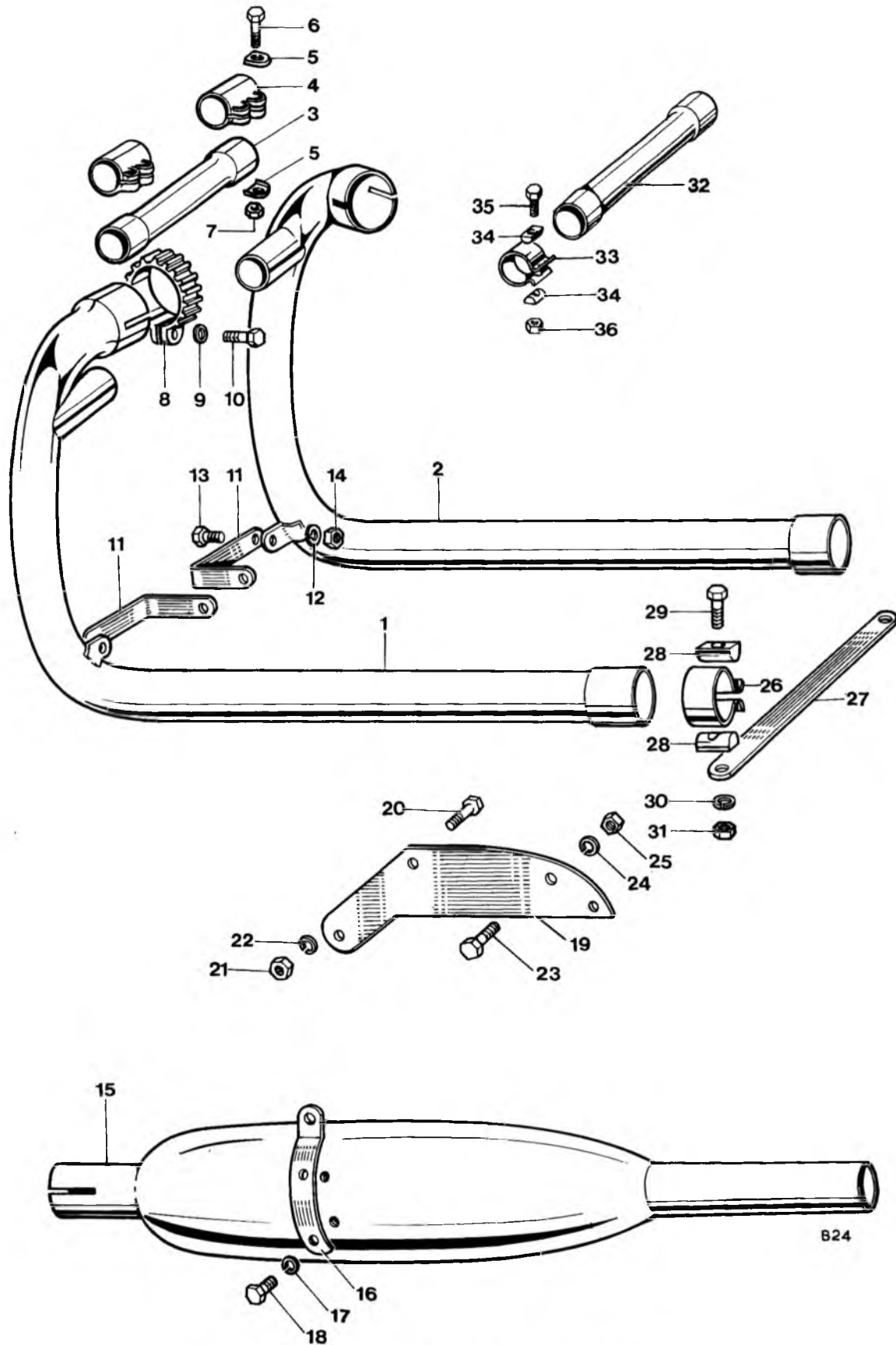


Fig. 15. EXHAUST PIPES AND MUFFLERS T120R, TR6R

EXHAUST PIPES AND MUFFLERS, T120R, TR6R (See also Page 43)

Ref. No.	Part No.	DESCRIPTION	QUANTITY	REMARKS
1	E9722 70-9363	EXHAUST PIPE D.S.	1	
2	E9723 70-9364	EXHAUST PIPE T.S.	1	
3	E9368 70-7888	Coupling pipe	1	
4	E9627	Clip	2	
5	E9626	Cap	8	
6	14-0204	Bolt, coupling pipe (1 $\frac{3}{8}$ in. U.H.)	4	
7	14-0301	Nut, coupling pipe	4	
8	E10216	Clip, exhaust pipe to head	2	
9	E8860	Spherical washer clip bolt	2	
10	E6744	Bolt (for clip)	2	
11	E6857	Exhaust pipe tie	2	
12	S26-360-4260	Spring washer	2	
13	E6179	Screw, stay to exhaust pipe	2	
14	E7471	Nut, stay to exhaust pipe	2	
15	E5866	Silencer (muffler)	2	
16	E4951	Bracket, silencer bracket	2	
17	S26-360-4260	Spring washer	4	
18	F929	Bolt, bracket to silencer ($\frac{1}{2}$ in. U.H.)	4	
19	E4711	Hanger, frame for silencer	2	
20	14-0115	Bolt, silencer hanger to frame ($\frac{7}{8}$ in. U.H.)	4	
21	14-0302	Nut	4	
22	S26-360-4260	Spring washer	4	
23	14-0114	Bolt, silencer to frame ($\frac{3}{4}$ in. U.H.)	2	
24	S26-3	Spring washer	2	
25	14-0302	Nut	2	
26	E2271	Clip, silencer to exhaust pipe	2	
27	E5676	Stay, DS and TS silencers	1	
28	E3768	"D" washer	4	
29	14-0219	Bolt (1 $\frac{1}{2}$ in. U.H.)	2	
30	S26-360-4260	Spring washer	2	
31	S1908	Nut	2	
32	E9888	Coupling pipe	1	Alternative parts used on later models
33	E7512	Clip	2	
34	E3768	"D" washer	4	
35	14-0219	Bolt	2	
36	14-1302	Nut	2	

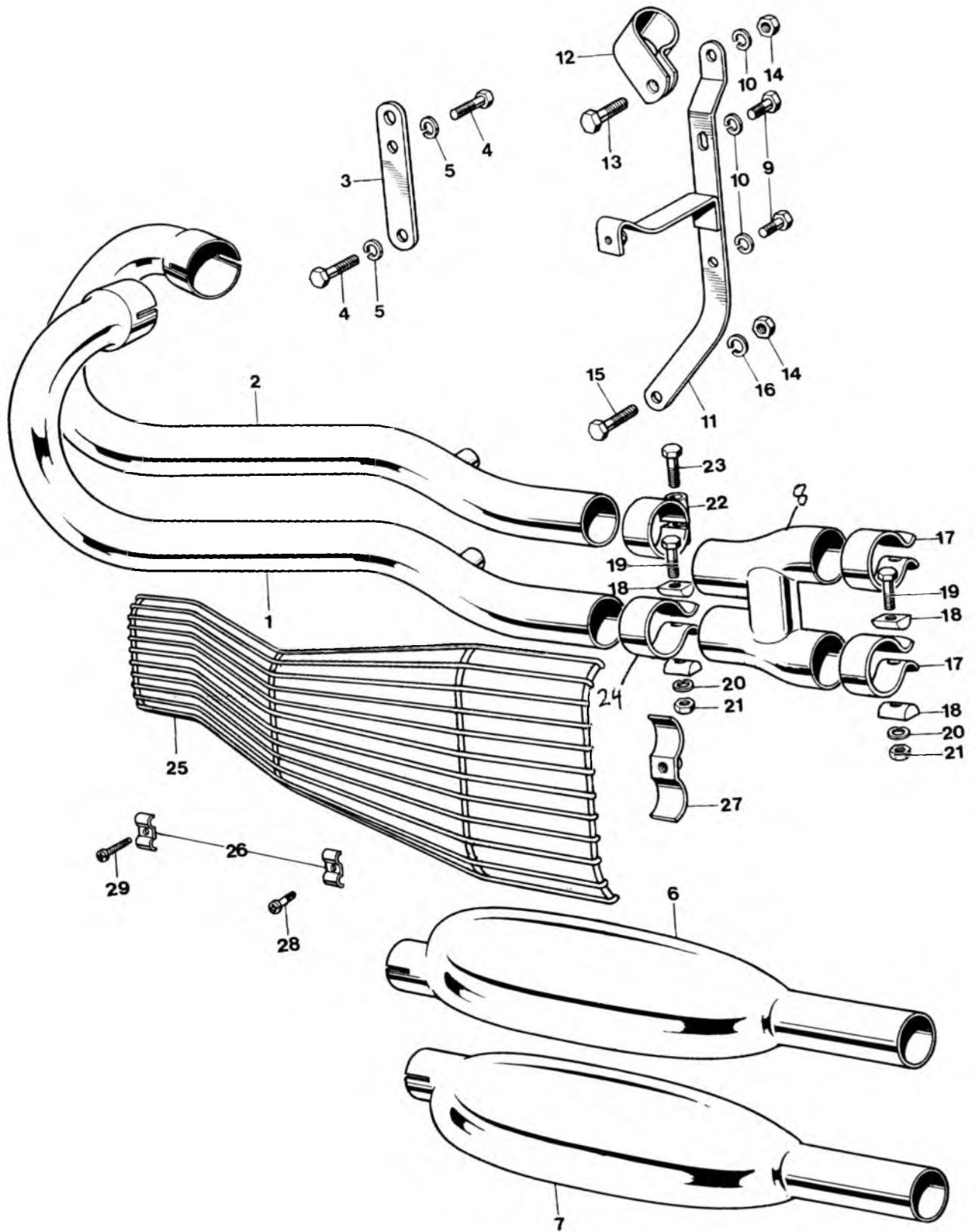
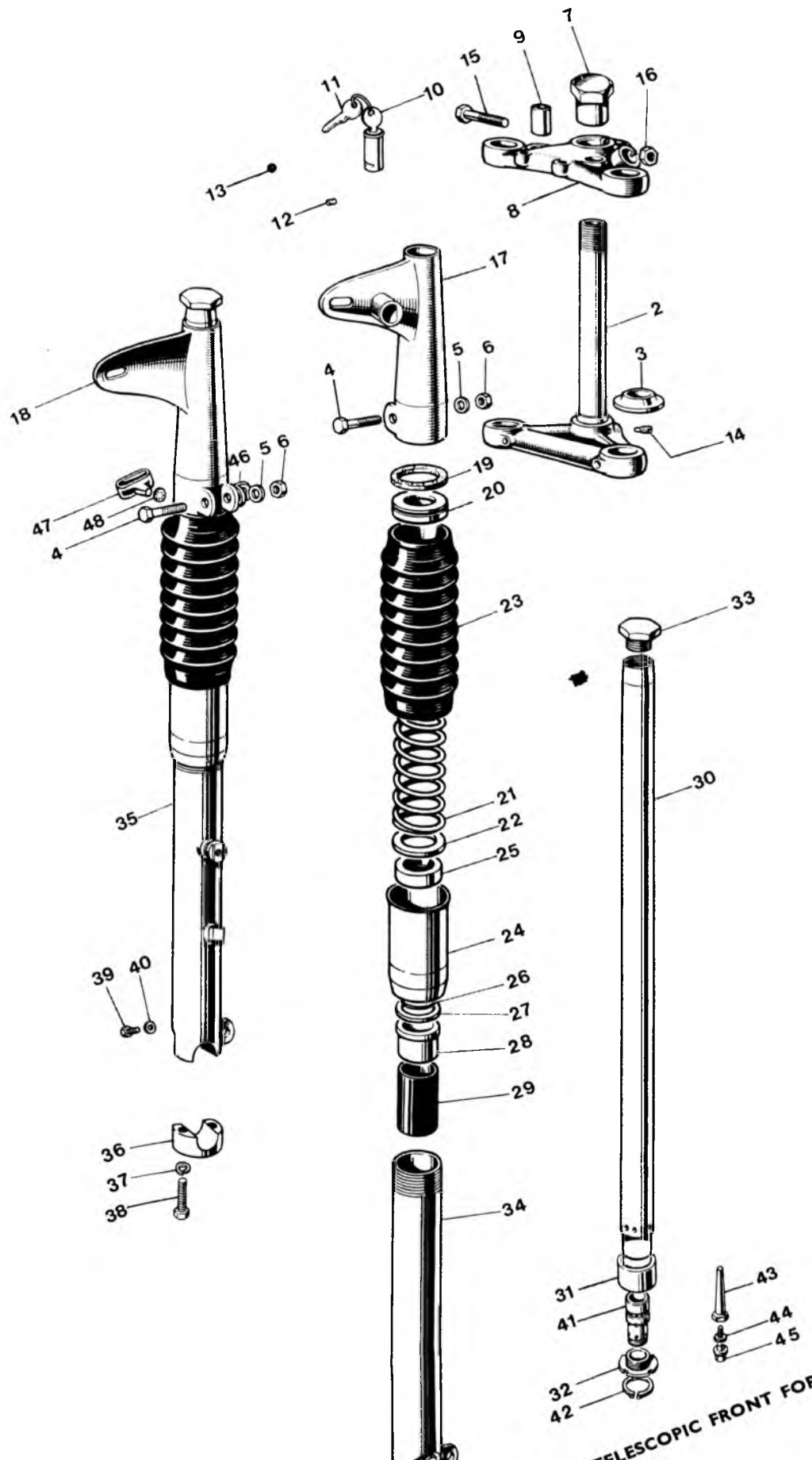


Fig. 16. EXHAUST PIPES AND MUFFLERS (TR6C)

EXHAUST PIPES AND MUFFLERS TR6C

1	E10024	Exhaust pipe D.S. lower	1	
2	E10022	Exhaust pipe T.S. upper	1	
3	E6978	Exhaust pipe stay	1	
4	14-0113	$\frac{5}{8}$ in. bolt	3	
5	S26-360-4260	Spring washer	3	
6	E9669	Silencer, upper	1	
7	E9670	Silencer, lower	1	
8	E9673	Connector	1	
9	F929	Bolt	2	
10	S26-360-4260	Spring washer	3	
11	E9692	Silencer bracket	1	
12	F7549	Clip	1	
13	14-0114	Bolt (for clip)	1	
14	14-0302	Nut (for clip)	2	
15	14-0115	Bolt hanger to frame	4	
16	S26-360-4260	Spring washer	4	
17	E2271	Clip	2	
18	E3768	"D" washer	6	
19	14-0219	Bolt washer	3	
20	S26-360-4260	Spring washer	3	
21	S1908	Nut	3	
22	E7299	Clip	1	
23	14-0116	Bolt	1	
24	E5874	Clip	1	
25	E9680	Leg guard	1	
26	E9688	Clip	2	
27	E9696	Bracket	1	
28	S1954	Screw (short)	1	
29	S1953	Screw (long) $1\frac{3}{4}$ in. U.H.	1	
—	E9857	Washer (for lines 28 and 29)	2	Not illustrated

ASSEMBLY REF. No. 1

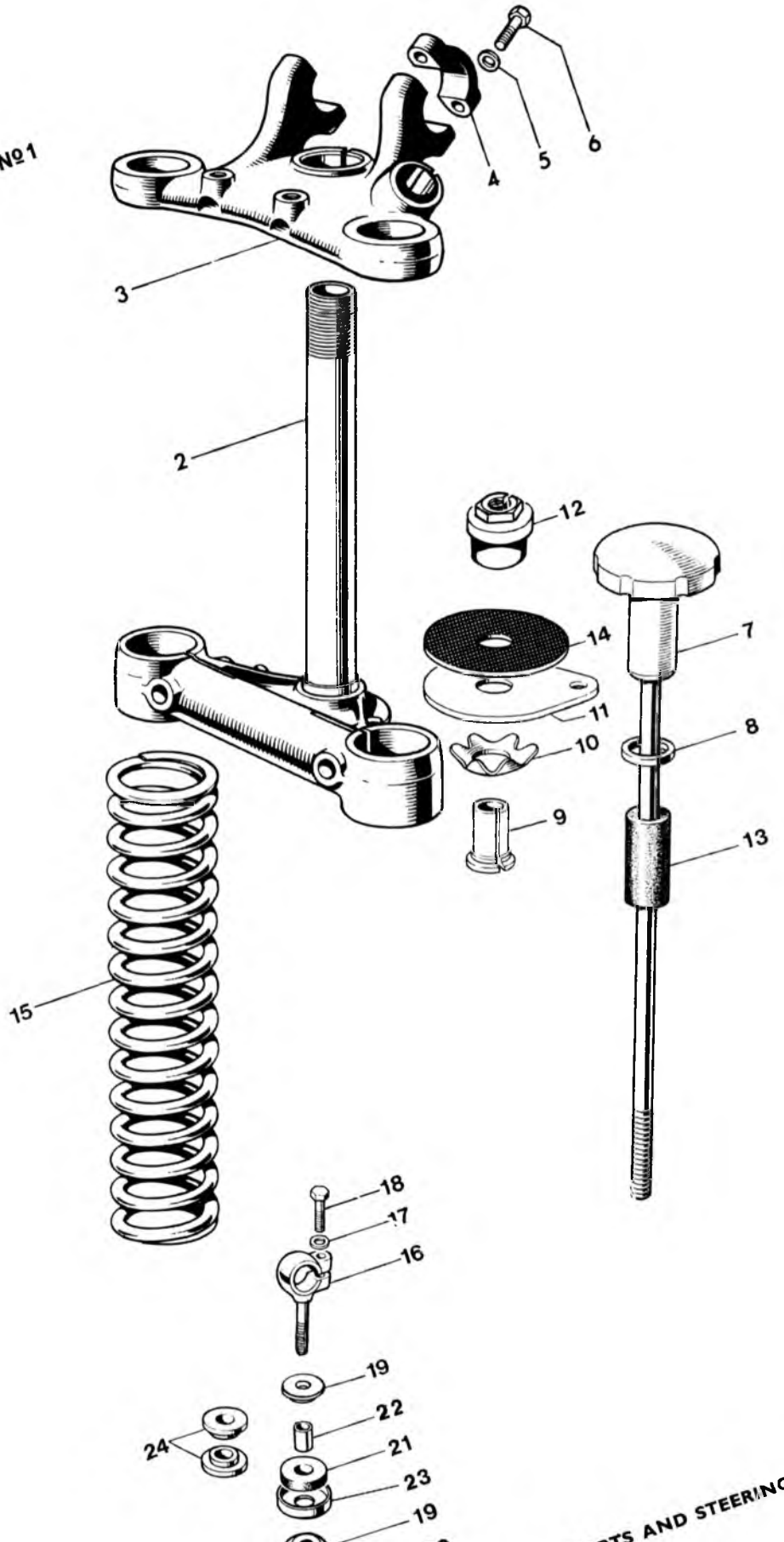


TELESCOPIC FRONT FORK

TELESCOPIC FRONT FORK TR6R, T120R

1	H3656 97-3907	FORK ASSEMBLY	1	TR6R
1	H3658 97-3909	FORK ASSEMBLY	1	T120R
2	H3659	Middle lug and stem	1	TR6R
2	H2288 97-3659	Middle lug and stem	1	T120R
3	H439	Bottom cone	1	
4	H2290	Pinch bolt (2½ in. U.H.)	2	
5	S25-2 60-4246	Plain washer	2	
6	14-1303	Cleveloc nut	2	
7	H2263	Fork stem sleeve nut (blind)	1	
8	H3667	Top lug	1	
9	H1527	Bonded bush	2	
10	F6738	Lock c/w 2 keys	1	
11	D623 82-6738	Key (state serial number)	1	Key Nos. run from EJR1 to EJR50
12	S578	Grub screw	1	
13	H2266	Sealing washer	1	
14	H2107	Locating pin	1	
15	S684	Pinch bolt (1¼ in. U.H.)	1	
16	S685	Seated nut	1	
17	H2161	Left top cover	1	
18	H2162	Right top cover	1	
19	F4047	Cork washer	2	
20	H1657	Spring abutment	2	
21	H1891	Solo main spring (Yellow/Blue)	2	
21	H1892	Extra strong main spring (Yellow/Green)	2	Available
22	H1656	Plain washer	2	
23	H3635	Telescopic gaiter	2	
24	H3633	DUST EXCLUDER SLEEVE NUT	2	
25	H1500	Oil seal	2	
26	H2119	"O" ring	2	
27	H431	Plain washer	2	
28	H441	Top bearing	2	
29	H1896	Damping sleeve	2	
30	H2092 97-3904	Stanchion	2	
31	H443	Lower bearing	2	
32	H2091	Bearing nut	2	
33	H2245	Cap nut	2	
34	H2294 97-4170	LEFT BOTTOM MEMBER c/w CAP	1	
35	H2295	RIGHT BOTTOM MEMBER c/w CAP	1	
36	H1844	Spindle cap	2	
37	S26-3 60-4260	Spring washer	4	
38	14-0218	Cap bolt (1⅞ in. U.H.)	4	
39	H519A 97-0511/001	Drain plug	2	
40	H430	Fibre washer	2	
41	H2154	Shuttle valve	2	
42	H2127	Circlip	2	
43	H2090	Restrictor	2	
44	H1062	Aluminium washer	2	
45	H2126	Flanged bolt	2	
46	H3682	Brake cable bracket	1	
47	H2270	Cable retainer	1	
48	F8245	Starlock washer	1	

FORK ASSEMBLY REF. N°1



ETS AND STEERING DAM

TR6C FORK PARTS AND STEERING DAMPER

1	H3657 97-3908	FORK ASSEMBLY	1
2	H2200 97-2280	Middle lug and stem	1
3	H3662	Top lug	1
4	H722	Cap	2
5	S25-360-4247	Plain washer	4
6	S589	Bolt (1 1/8 in. U.H.)	4
7	H1142 97-1142/043	Steering damper rod c/w knob	1
8	H565	Plain washer	1
9	H408	Adjuster sleeve	1
10	H95	Spring plate	1
11	H1797	Anchor plate	1
12	H2108	Fork stem sleeve nut	1
13	H1618	Rubber sleeve	1
14	H435	Friction disc	1
15	H1892	Main spring (yellow/green)	2

All other parts are as listed on Page 45

HANDLEBAR MOUNTINGS

16	H2291	Handlebar eyebolt	2	} TR6R, T120R
17	F1335	Plain washer	2	
18	H1340	Bolt (1 1/8 in. U.H.)	2	
19	H1529	Hemispherical washer	4	
20	14-1903	Self-locking nut	2	
21	H1580	Steady rubber	2	
22	H1581	Distance piece	2	
23	H2221	Cup	2	} as required
24	H1616	Solid bush (for handlebar-mounted windscreen)	as required	

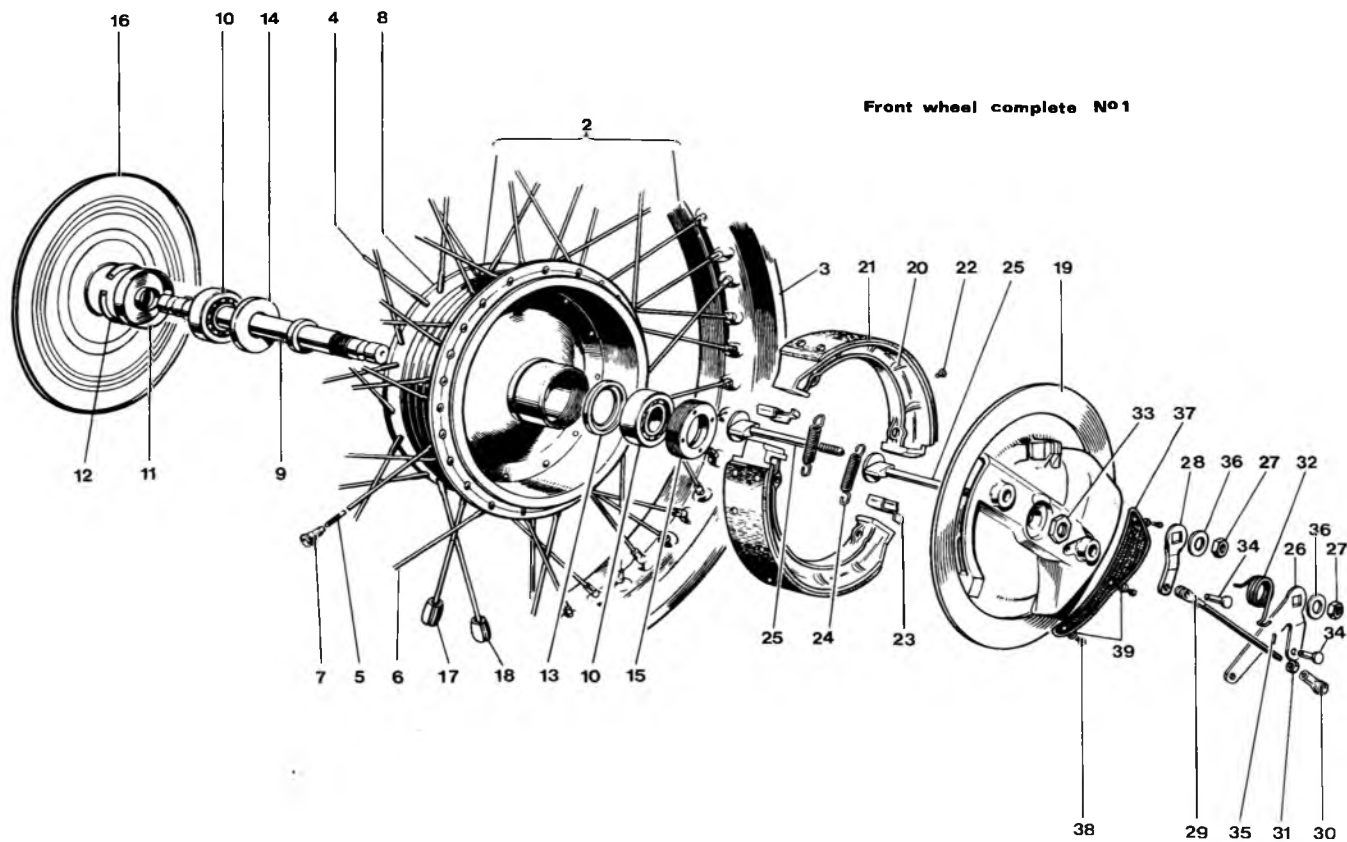


Fig. 19. FRONT WHEEL

FRONT WHEEL

1	W3458	FRONT WHEEL COMPLETE	1	
2	W1721	RIM, SPOKES AND HUB ASSEMBLY	1	
3	W1230	Front wheel rim (WM2-19)	1	
4	W1328	Spoke (8/10G x 5 $\frac{5}{8}$ in. straight)	20	
5	W1708	Spoke (8/10G x 4 $\frac{3}{8}$ in. 78°)	10	
6	W1709	Spoke (8/10G x 4 $\frac{7}{8}$ in. 100°)	10	
7	S79-2	37-4200 Spoke nipple	40	
8	W4693	37-3604 Hub and brake drum	1	
9	W2057	37-3582 Wheel spindle	1	
10	W653	Bearing	2	
11	W1237	Dust cover	1	
12	T280	Circlip	1	
13	W3337	Bearing support ring	1	
14	W1481	Grease retainer	1	
15	W582	Retaining ring	1	
16	W3460	Cover plate	1	
17	W1197	Balance weight, $\frac{1}{2}$ oz.		as required
18	W1198	Balance weight, 1 oz.		as required
19	W3462	Brake anchor plate	1	
20	W1996	BRAKE SHOE c/w LINING	2	
21	Reference only	Brake lining	2	
22	Reference only	Brass rivet	16	
23	W2026	Abutment pad	2	
24	W135	Shoe return spring	2	
25	W2001	Brake cam	2	
26	W3453	Brake cam lever (front)	1	
27	14-0302	Nut	2	
28	W3454	Brake cam lever (rear)	1	
29	W2003	Rod	1	
30	W2005	Fork end, threaded	1	
31	14-0401	Locknut	1	
32	W3522	Lever return spring	1	
33	W2058	Anchor plate nut	...	USE.. 1 1/8 AMER. SOCKET.	1	
34	WF3260-4252	Pivot pin	2	
35	—CP 1/16x 1/2	Split pin	2	
36	W2027	37-2027 Plain washer	2	
37	W1991	Anchor plate gauze (for air scoop)	1	
38	S650	Taptite screw	3	
39	F2354	70-235; Plain washer	3	

50

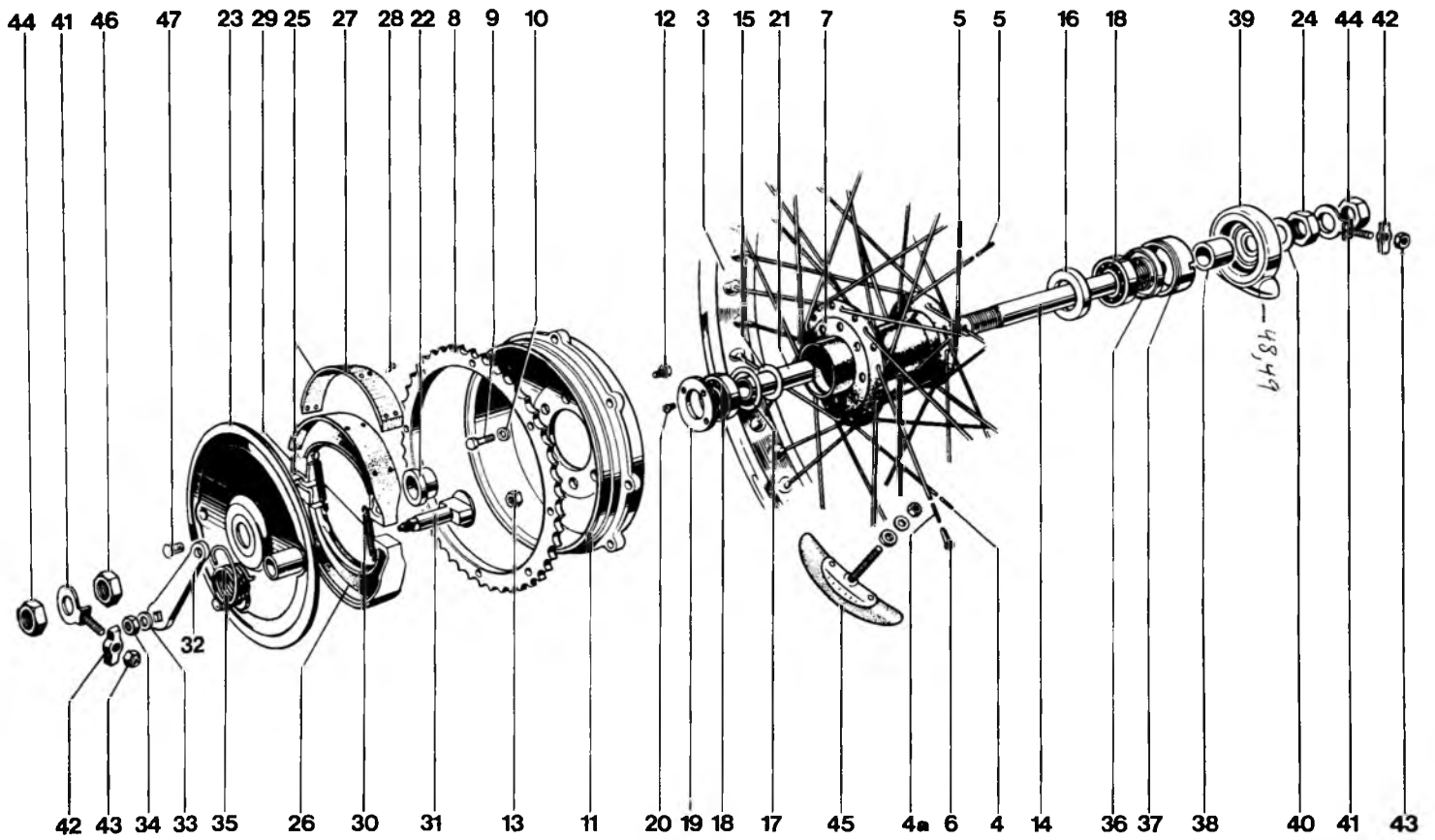


Fig. 20. REAR WHEEL

B10

REAR WHEEL

1	W2102 37-3604	REAR WHEEL COMPLETE	1	
2	W1486	RIM, SPOKES AND HUB ASSEMBLY	1	
3	W1007	Rear wheel rim WM3-18	1	
4	W1107	Spoke (8/10G x 7 ⁹ / ₁₆ in. 90°)	10	
4A	W3402	Spoke (8/10G x 7 ¹¹ / ₁₆ in. 110°)	10	
5	W1108	Spoke (8/10G x 7 ⁹ / ₁₆ in. 90°)	20	
6	S79-2 37-4200	Spoke nipple	40	
7	W1472	Hub	1	
8	W1499	Sprocket, 46T	1	
9	W1500	Bolt (1 ¹ / ₂ in. U.H.)	8	
10	E1612	Serrated washer	8	
11	W1498	Brake drum	1	
12	W1690	Bolt (1 ¹ / ₂ in. U.H.)	8	
13	W1691	Self locking nut	8	
14	W1281 37-3589	Wheel spindle	1	
15	W1474	Grease retainer (brake side)	1	
16	W1654	Grease retainer	1	
17	W1022	Backing ring	1	
18	W653	Bearing	2	
19	W1021 99-0057	RETAINING RING	1	
20	W1710	Locking screw (5 ¹ / ₁₆ in. U.H.)	1	
21	W1278	Distance tube	1	
22	W1024	Distance piece	1	
23	W1112	Brake anchor plate	1	
24	W3426	Nut	1	
25	W1406	LEADING BRAKE SHOE C/W LINING	1	
26	W1407	TRAILING BRAKE SHOE C/W LINING	1	
27	Reference only	Brake lining	2	} Not supplied separately
28	Reference only	Brass rivet	16	
29	W1415 37-4071	Thrust pad	2	
30	W135	Shoe return spring	2	
31	W1083 37-3592	Brake cam	1	
32	W2015	Brake cam lever	1	
33	S25-6 37-2027	Plain washer	1	
34	S1-52 60-4261	Nut	1	
35	W1090	Lever return spring	1	
36	W1635	Grease retainer	1	
37	W1476	Speedometer adaptor	1	
38	W1477	Distance piece	1	
39	D637	Speedometer gearbox	1	
40	W1280	Plain washer	1	
41	W2089	Chain adjuster	2	
42	W1015	Adjuster end plate	2	
43	14-1902	Self-locking nut	2	
44	F1747	Spindle nut	2	
45	WM3	Tire security bolt	2	
46	W3425 37-3468	Nut inner D.S.	1	
47	W1467	Pivot pin	1	
48	31/333/530/1	END PLUG		
49	31/832/56400	WORM GEAR		

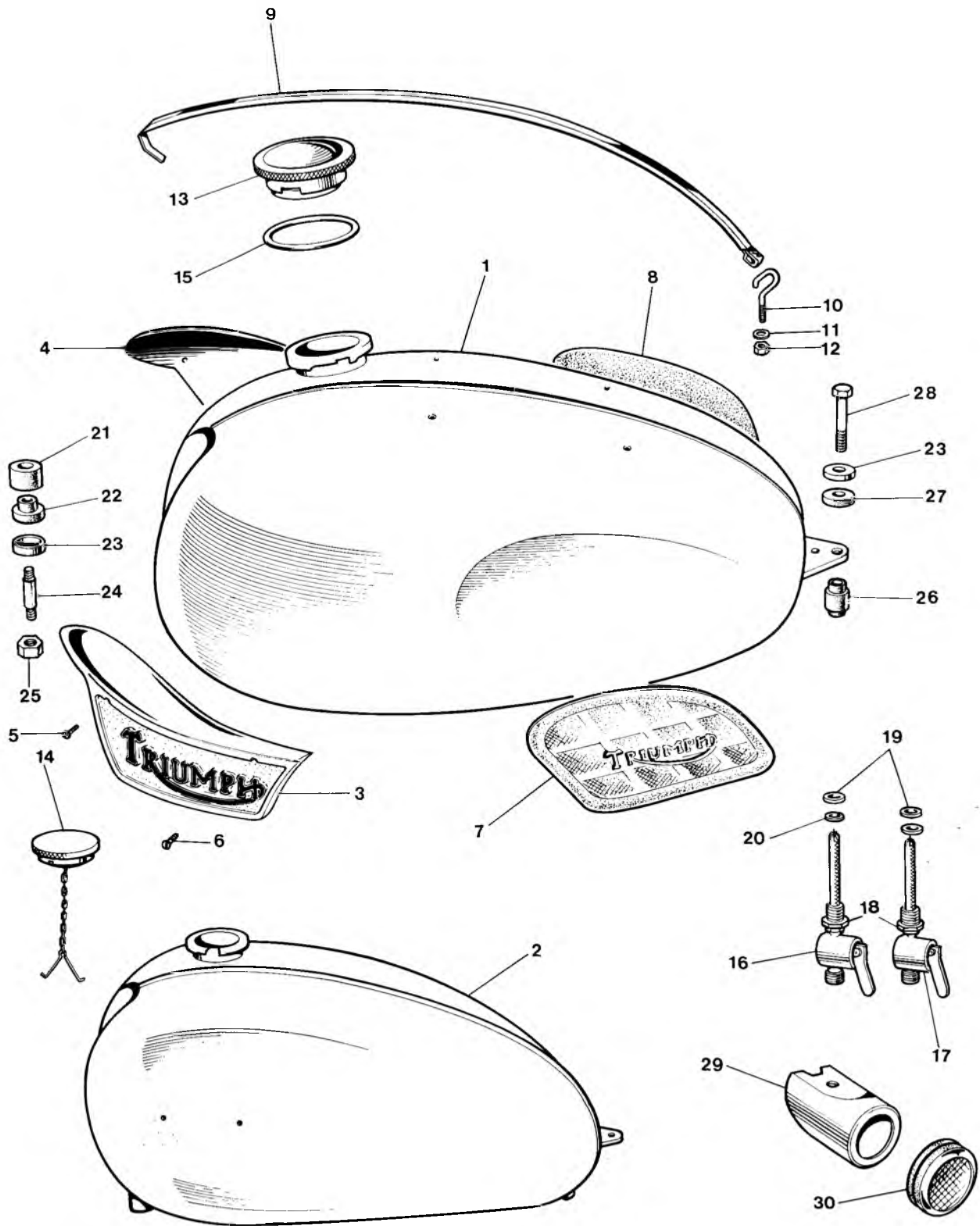


Fig. 22. GAS TANKS

Ref. No.	Part No.	DESCRIPTION	QUANTITY	REMARKS
----------	----------	-------------	----------	---------

GAS TANKS

1	F9706	Gas tank (3½ gallons)	1	TR6R
2	F9705	Gas tank (2½ gallons)	1	TR6C
2	F9207-82-9702	Gas tank (2½ gallons)	1	T120R
3	F11340	Styling unit (left)	1	
4	F11341	Styling unit (right)	1	
5	F11339	Styling unit screw (front)	2	
6	F7888	Styling unit screw (rear)	2	
7	F8192	Left knee grip	1	
8	F8193	Right knee grip	1	
9	F10031	Centre styling strip	1	
10	F10008	Hook screw	1	
11	F4019	Serrated washer	1	
12	H919	Nut	1	
13	F3220 83-3875	FILLER CAP	1	
14	F3219 83-3875	FILLER CAP c/w CHAIN	1	TR6C
15	F4048	Joint washer	1	
16	F4971 83-2801	Petrol tap (left)	1	
17	F4972 83-2800	Petrol tap with reserve tube	1	
18	F10006	Petrol tap nut	2	
19	E7351	Petrol tap seal	2	
20	F10002	Steel washer	2	
21	F5228	Rubber washer	2	
22	F5229	Spigot rubber	2	
23	F3814	Cup	3	
24	S1883	Shouldered stud	2	
25	14-1302	Nut	2	
26	F5336	Double spigot rubber	1	
27	F967	Rubber washer	1	
28	F7388	Bolt (1½ in. U.H.)	1	
29	F8194	Reflector bracket	2	
30	99-57161	Reflector, Amber (57161)	2	
—	D2026	Decal—Bonneville	1	
—	D2027	Decal—Trophy 650	1	TR6C
—	D678	Decal—Trophy Sports	1	TR6R
—	A61 99-3509	Decal—Made in England	1	

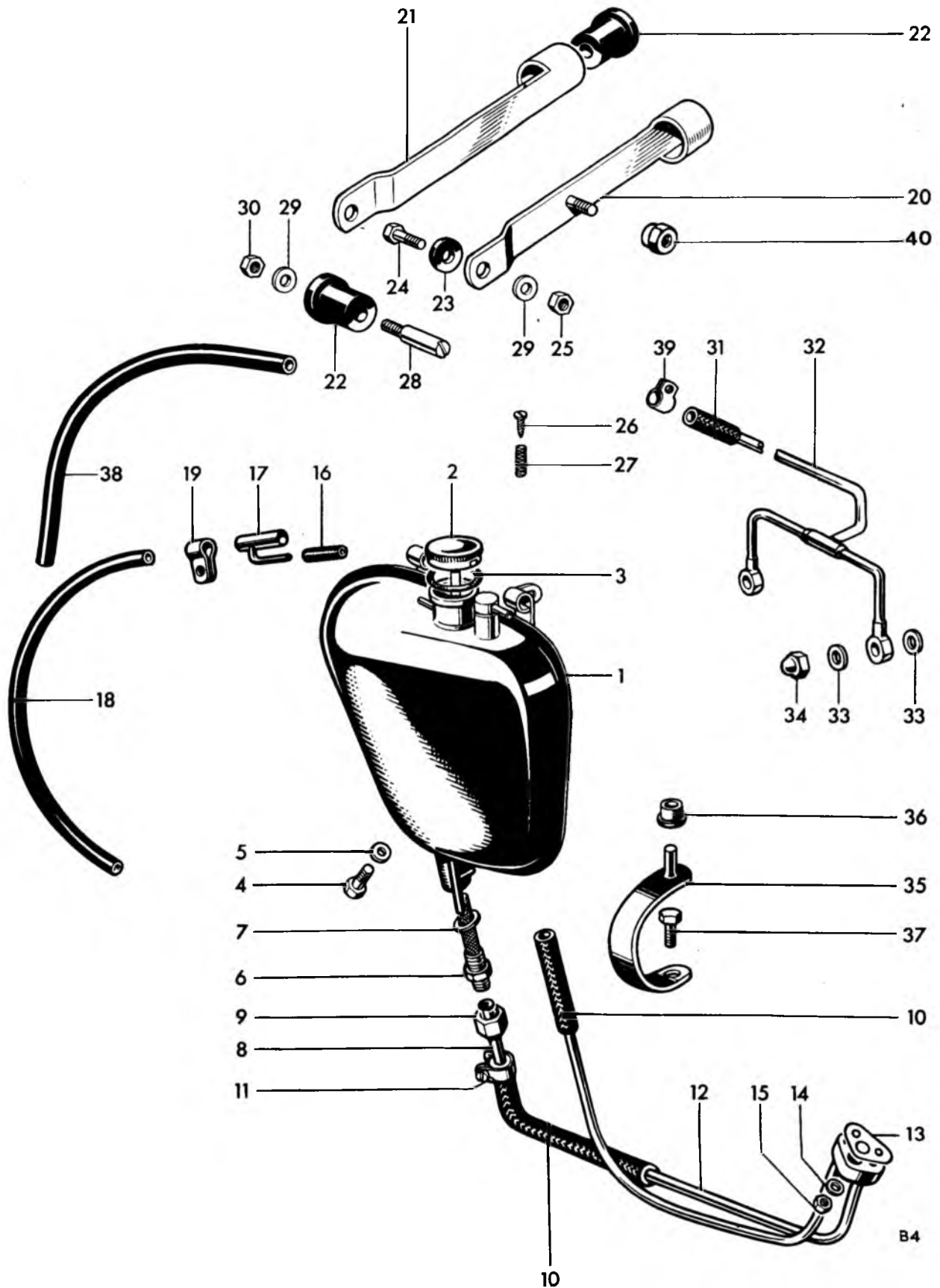


Fig. 23. OIL TANK

OIL TANK

1	F7836 83-3290	Oil tank ...	1	
2	F9659	FILLER CAP	1	
3	F4047	Joint washer	1	
4	F5343	Drain plug	1	
5	PT104B 60-4262	Fibre washer	1	
6	F3179	Oil tank filter	1	
7	F1713	Fibre washer	1	
8	F3655	Upper feed pipe	1	
9	F3182	Union nut	1	
10	E4594	Flexible connector	2	
11	E6848	Clip	4	
12	E6930 71-7176	Oil pipes and junction block	1	
13	E3763 71-3754	Joint washer	1	
14	E3446	Plain washer	1	
15	E1310	Nut	1	
16	E6356	Vent pipe	1	
17	E5370	"T" piece	1	
18	F7353	Extension pipe	1	
19	F3098	Clip	2	
20	F9255	Front strap	1	
21	F8028	Rear Strap	1	
22	F6673	Spigot rubber	4	
23	F6968	Rubber washer	2	
24	14-0304	Bolt ($\frac{3}{8}$ in. U.H.)	2	
25	14-0701	Self locking nut	2	
26	F6511	Metering screw	1	
27	F6874	Coil spring	1	
28	F7510	Screwed peg	2	
29	S25-1360-4248	Plain washer	4	
30	F879 14-0301	Nut	2	
31	E6353	Rubber connector	1	
32	E6349 70-7574	Rocker oil feed pipe	1	
33	E1335	Copper washer	4	
34	E1435	Domed nut	2	
35	F6147	Bracket	1	
36	F6039	Grommet	1	
37	S1822	Bolt ($\frac{1}{2}$ in. U.H.)	1	
38	F7352	Flexible pipe	1	
39	E6849	Clip	1	
40	F8034	Sleeve nut	1	
—	D1918	Grouped transfer "Drain and refill" etc.	1	Not illustrated

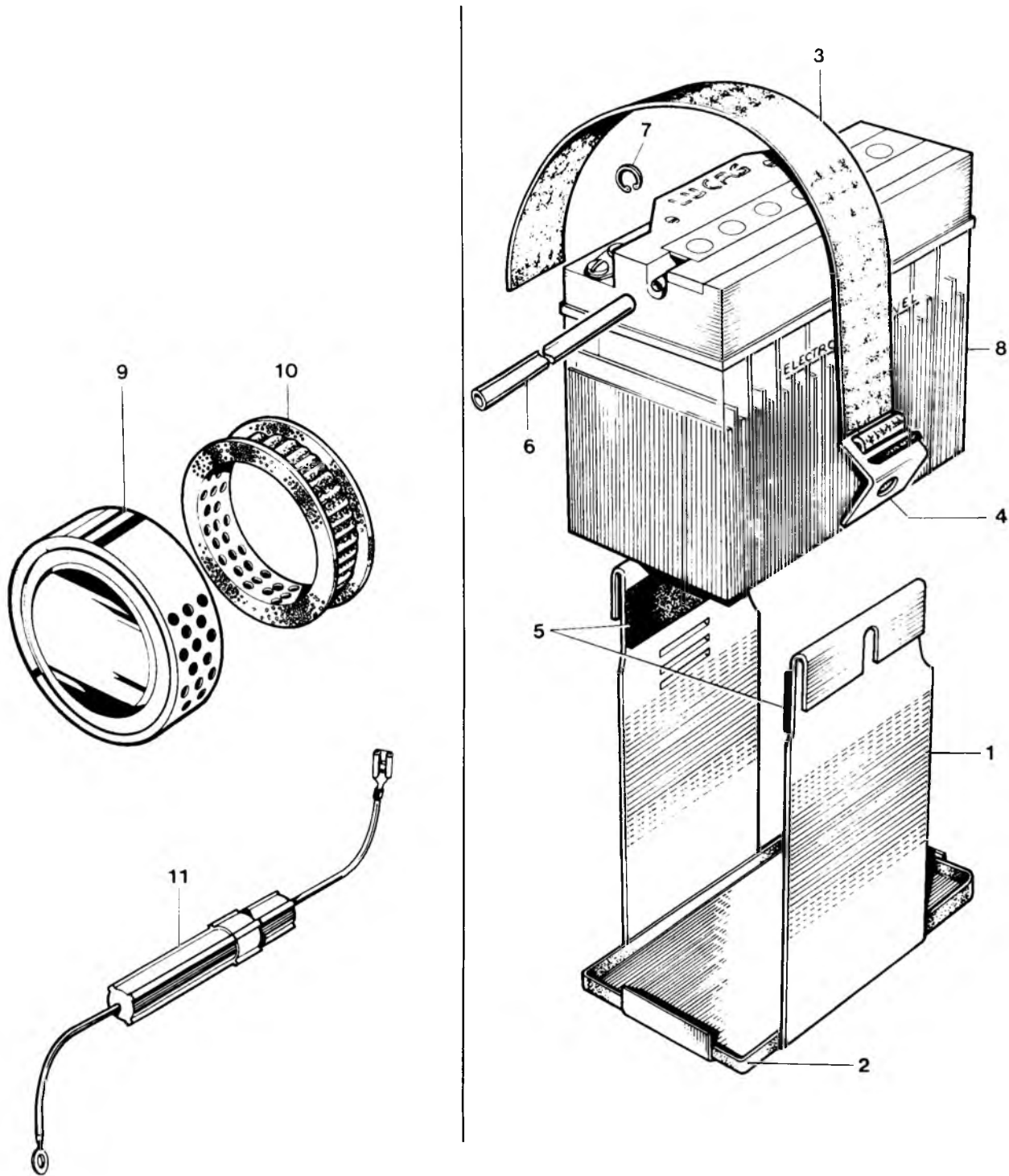


Fig. 24. BATTERY CARRIER AND AIR FILTERS

BATTERY CARRIER AND AIR FILTERS

1	F8024	Battery carrier	1	
2	F8091	Battery carrier rubber tray	1	
3	F8033 82-7353	Battery carrier strap	1	
4	F8032	Battery strap anchorage	1	
5	F8031	Battery carrier rubber strip	1	
—	A52 99-3504	Transfer positive earth	1	
6	F7431	Vent pipe	1	
7	F7892	Circlip, vent pipe	1	
8	99-0719	Battery (PUZ5A) 54027029	1	
9	F8018	AIR CLEANER	1	} TR6R, TR6C
10	F5764 82-6866	Air cleaner element (filter cloth & gauze)	1	
9	F8196	AIR CLEANER	1	} T120R
10	F5764 82-6866	Air cleaner element (filter cloth & gauze)	1	
11	54938986	Fuse assembly		Reference only
—	F4810	Clip for air cleaner cover	1	Not illustrated
* 12	189218	FUSE		

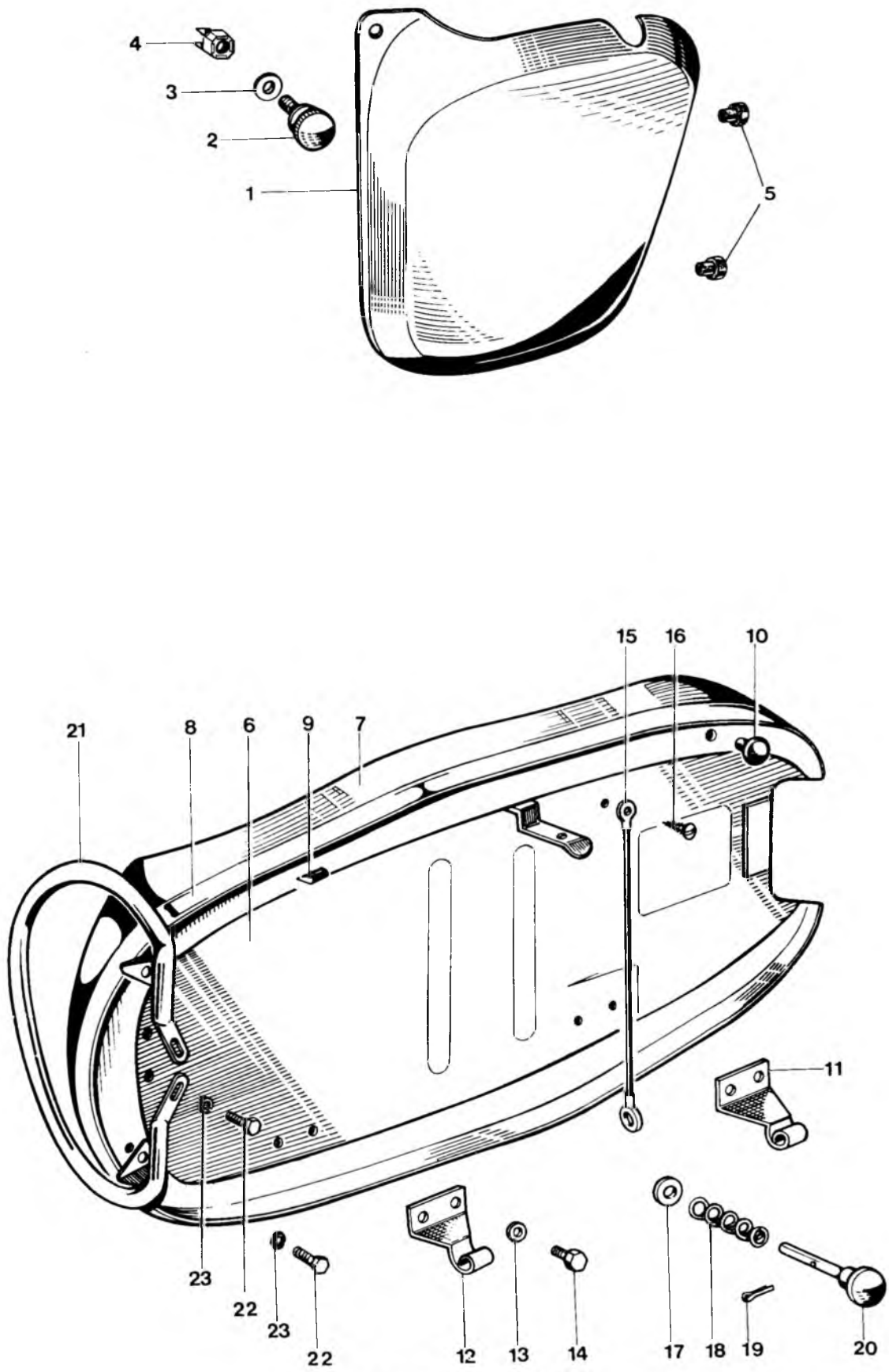


Fig. 24. PANEL AND TWINSEAT

PANEL AND TWINSEAT

1	F8042 83-1358	Side panel and toolbox	1	
—	D2025	Decal—TIGER 650	1	TR6R } Not TR6C } illus- T120R } trated
—	D2027	Decal—TROPHY 650	1	
—	D2026	Decal—BONNEVILLE	1	
2	F11357	Panel knob	1	
3	F11377	Washer	1	
4	F10222	Panel nut	1	
5	F6673	Panel grommet	2	
6	F9714 82-9502	TWINSEAT	1	
7	F9715	Twinseat cover	1	
8	D696	Trim strip	1	
9	D697	Trim strip sprag	4	
10	F7835	Rubber buffer	1	
11	F8026	Hinge—front	1	
12	F7862	Hinge—rear	1	
13	S26-2 60-4250	Spring washer	4	
14	14-0101	Bolt (½ in. U.H.)	4	
15	D374	Check wire	1	
16	F4483	Self tapping screw	1	
17	E1719A 71-3749	Washer	1	
18	F4228	Spring	1	
19	60-2720 ¾ in. x ½ in.	Split pin	1	
20	F7560	Seat catch plunger	1	
21	F9498	Seat rail	1	
22	14-0102	Bolt (⅝ in. U.H.)	4	
23	S26-2 60-4250	Spring washer	4	

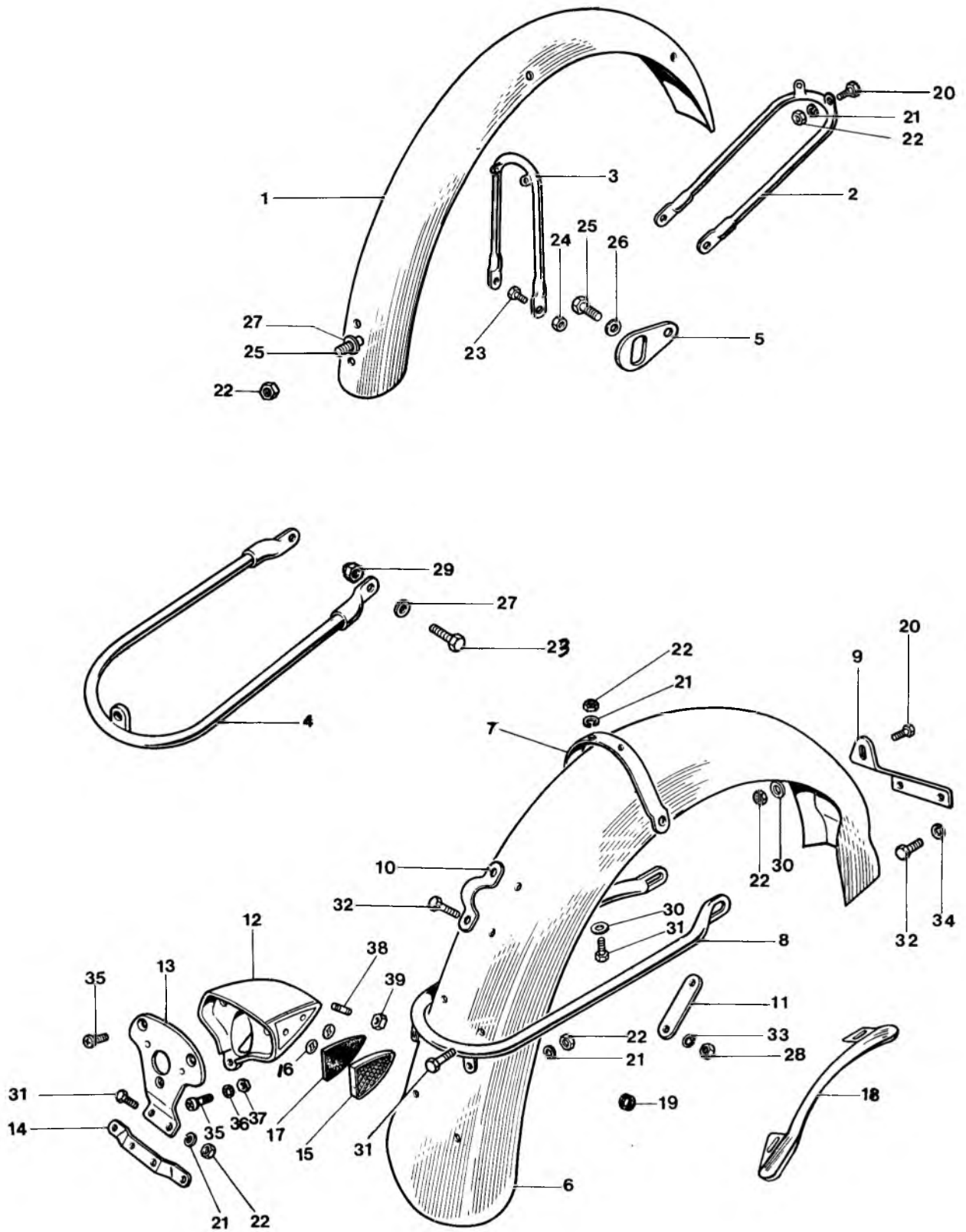


Fig. 26. FENDERS

F E N D E R S

1	H3677	Front fender (painted)	1	T120R, TR6R
1	H1996 97-3884	Front fender (stainless steel)	1	TR6C
2	H1681	Front stay	1	TR6C
2	H3663	Front stay	1	TR6R, T120R
3	H1683	Centre stay	1	TR6C
3	H3664	Centre stay	1	TR6R, T120R
4	H3668 97-3688	Bottom stay	1	TR6R, T120R
4	H3683	Bottom stay	1	TR6C
5	H1685	Bracket	2	
6	F8143	Rear fender	1	TR6C
6	F8144	Rear fender	1	TR6R, T120R
7	F6915	Bridge	1	
8	F7860	Lifting handle	1	
9	F6851	Bracket	1	
10	F5994	Clip	1	
11	F6031	Backing plate	1	
12	F8139	Tail lamp adaptor	1	
13	F6849 83-2715	Tail lamp plate	1	
14	F6850	Number plate bracket	1	
15	99-1030	Reflector red (57111)	2	
16	F8195	Push fix	4	
17	F8140	Rubber mat	2	
18	F7826	Wiring protector	1	
19	199001	Tail lamp lead grommet		Reference only
20	14-0101	Bolt ($\frac{7}{16}$ in. U.H.)	5	
21	S25-1 60-4245	Plain washer	12	
22	14-1201	Nut	13	
23	14-0115	Bolt ($\frac{5}{16}$ in. U.H.)	4	
24	14-0402	Nut	2	
25	S1822	Bolt ($\frac{1}{2}$ in. U.H.)	3	
26	F4299	Plain washer	2	
27	S25-3 60-4247	Washer	3	
28	14-0302	Nut	3	
29	14-0702	Self-locking nut	2	
30	F6310	Plain washer	3	
31	14-0102	Bolt ($\frac{5}{8}$ in. U.H.)	12	
32	14-0113	Bolt ($\frac{9}{16}$ in. U.H.)	4	
33	E2287	Spring washer	2	
34	S26-3 60-4260	Spring washer	2	
35	F4715	Screw	3	
36	GS299 60-4256	Washer	1	
37	F3799	Nut	1	
38	E2980	Stud ($\frac{15}{16}$ in. O.A.)	1	
39	F879	Nut	1	

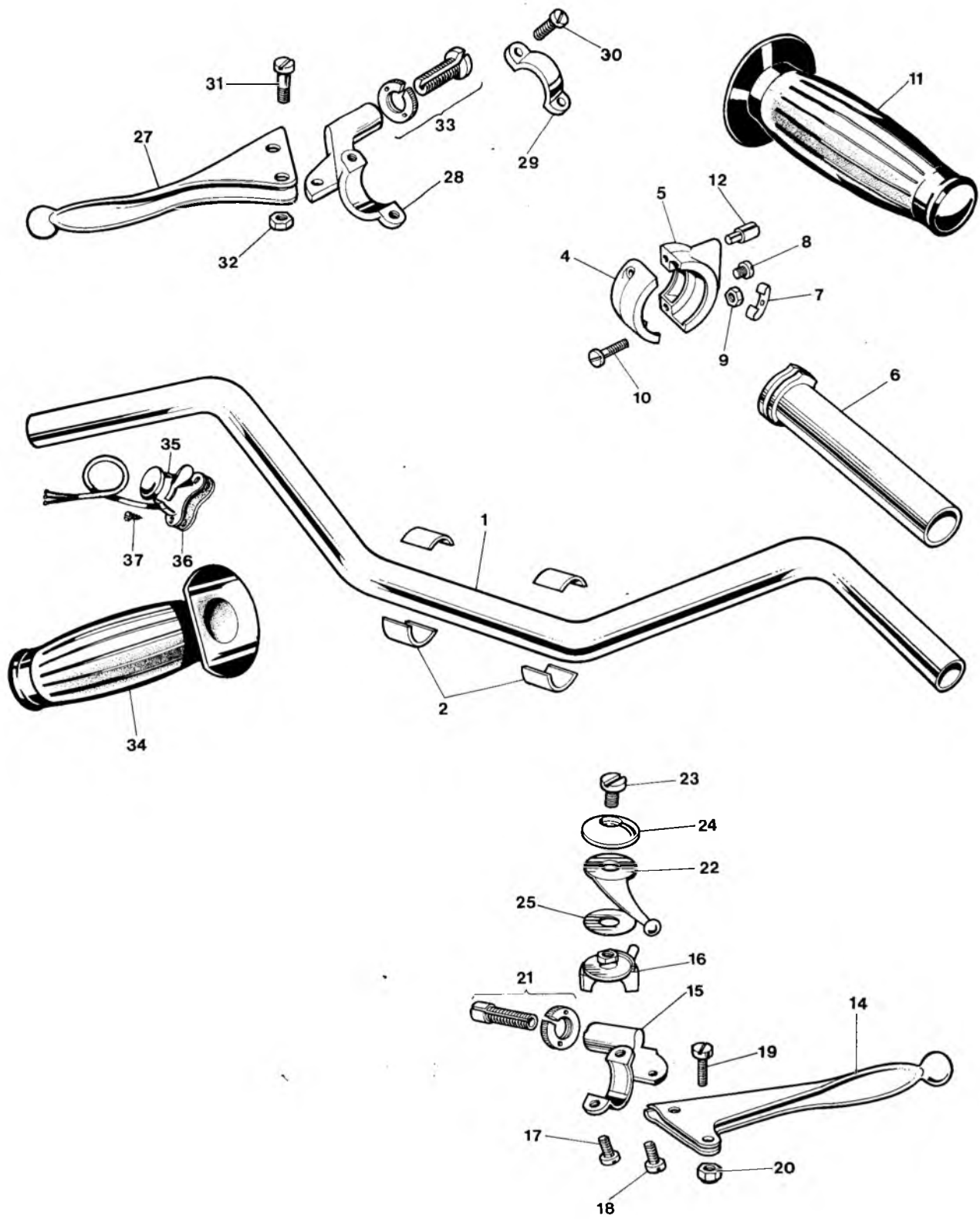


Fig. 27. HANDLEBARS AND CONTROL LEVERS

HANDLEBARS AND CONTROL LEVERS (SEE ALSO PAGE 65)

Ref. No.	Part No.	DESCRIPTION	QUANTITY	REMARKS
1	H1870 ^{H1511} 87-4252 ^{BAR}	Handlebar	1	TR6C
2	H1425	Packing piece	4	TR6R, T120R
3	99-0248 ⁶⁰⁻⁷⁰⁴	TWISTGRIP (16/364)	1	TR6R, T120R
4	99-0245	Body top half (16/328)	1	TR6C, TR6R
5	99-0246	Body bottom half (16/329)	1	
6	99-0244	Rotor (16/091)	1	
7	99-0238 ^{16/008}	Friction spring (16/008)	1	
8	99-0239 ^{622/089}	Friction spring screw (16/000)	1	
9	99-0240	Locknut (16/010)	1	
10	99-0225	Screw (11/013)	2	
11	Reference only	Grip	1	
12	99-0241	Cable stop (16/011)	1	
13	D2073 ^{18/978}	FRONT BRAKE AND AIR LEVER ASSEMBLY (18/978)	1	
14	99-0262	Brake lever (ball end) (18/754)	1	
15	99-0266	Lever bracket (18/776)	1	
16	99-0234	Control body (12/619)	1	
17	99-0226	Screw (11/014)	1	
18	99-0225	Screw (11/013)	1	
19	99-0252	Fulcrum screw (18/087)	1	
20	99-0250	Self locking nut (18/053)	1	
21	99-1031	Cable adjuster and nut (18/1708/1709)	1	
22	99-0228	Lever (12/556)	1	
23	12/607	Bolt	1	
24	12/606	Cap	1	
25	12/033	Spring washer	1	
26	D2074 ^{18/952}	CLUTCH LEVER ASSEMBLY 18/952	1	
27	99-0261	Clutch lever (ball end) (18/752)	1	
28	99-0265	Clutch lever bracket (18/773)	1	
29	99-0230	Clamp (12/595)	1	
30	99-0226	Screw (11/014)	2	
31	99-0252	Fulcrum screw (18/087)	1	
32	99-0250	Self locking nut (18/053)	1	
33	99-1031	Cable adjuster and nut (18/1708/1709)	1	
34	Reference only	Handlebar grip	1	
35	99-0555	Horn push and dip switch (31563)	1	
36	99-0630	Backing rubber (380459)	1	
37	H1994	Self-tapping screw (a in. U.H.) ^{1/2" U.H.}	2	

use Amal where Applicable...

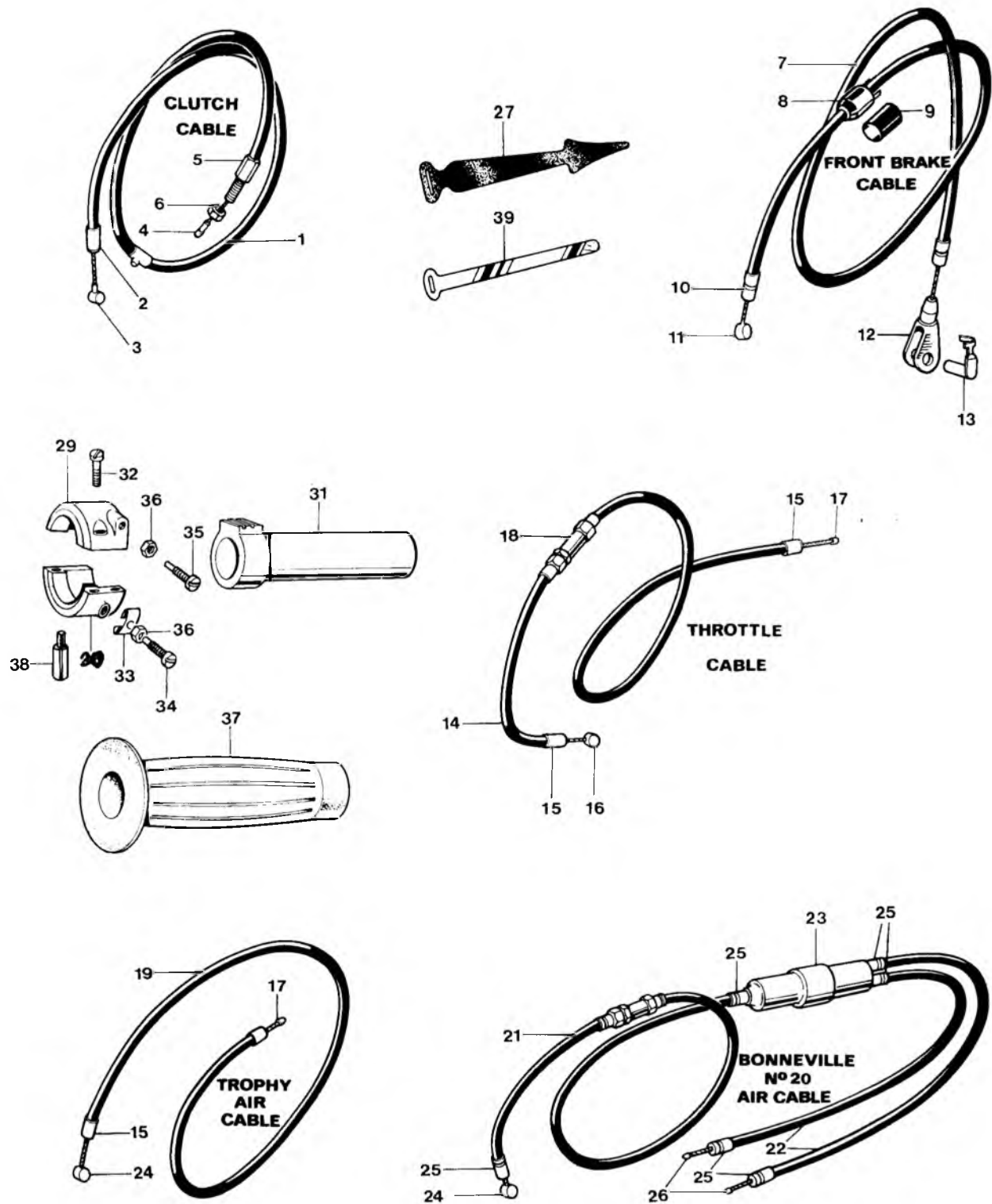


Fig. 28. CONTROL CABLES

CONTROL CABLES AND T120R TWISTGRIP

1	D1993	CLUTCH CABLE	1	
2	D103	Ferrule	2	
3	D506 18/615	Nipple (Handlebar end)	1	
4	DS73 99-3519	Nipple	1	
5	D668	Adjuster	1	
6	S672	Nut	1	
7	D2076	FRONT BRAKE CABLE	1	
8	D2085	Front stop switch	1	
9	D2086	Cover for switch	1	
10	D103	Ferrule	2	
11	D506 18/615	Nipple (Handlebar end)	1	
12	D638	Fork end	1	
13	W200660-4252	Pivot pin (spring-fix)	1	
14	D746	THROTTLE CABLE	1	TR6R, TR6C
14	D1819	THROTTLE CABLE	1	T120R
15	D101	Ferrule	8	
16	D83	Nipple	1	
17	NS191	Nipple	1	
18	D104	Adjuster	1	
19	D747	AIR CONTROL CABLE	1	TR6, TR6C
20	D4847 M.L.A.	AIR CABLE ASSEMBLY	1	T120
21	D1818	Lever cable	1	
22	D684	Carburettor cable	2	
23	99-0341	Junction box (244/104)	1	
24	D83	Nipple (Handlebar end)	1	
25	D101	Ferrule	6	
26	NS191	Nipple	3	
27	D343/760-0343/007	Clip, rubber	as required	
28	99-0351	TWIN ROTOR TWISTGRIP (313/13)	1	T120R
29	99-0345	Body top half (313/008)	1	
30	99-0346	Body bottom half (313/009)	1	
31	99-0347	Rotor (313/013)	1	
32	99-0220	Bolt (4/048)	2	
33	99-0238	Friction spring (16/008)	1	
34	99-0337	Adjuster screw (210/007)	1	
35	99-0338	Rotor stop (210/008)	1	
36	99-0339	Nut (210/009)	2	
37	H2125	Grip	1	
38	99-0241	Cable stop (16/011)	2	
39	XA69 60-4254	Cable clip (metal)	as required	

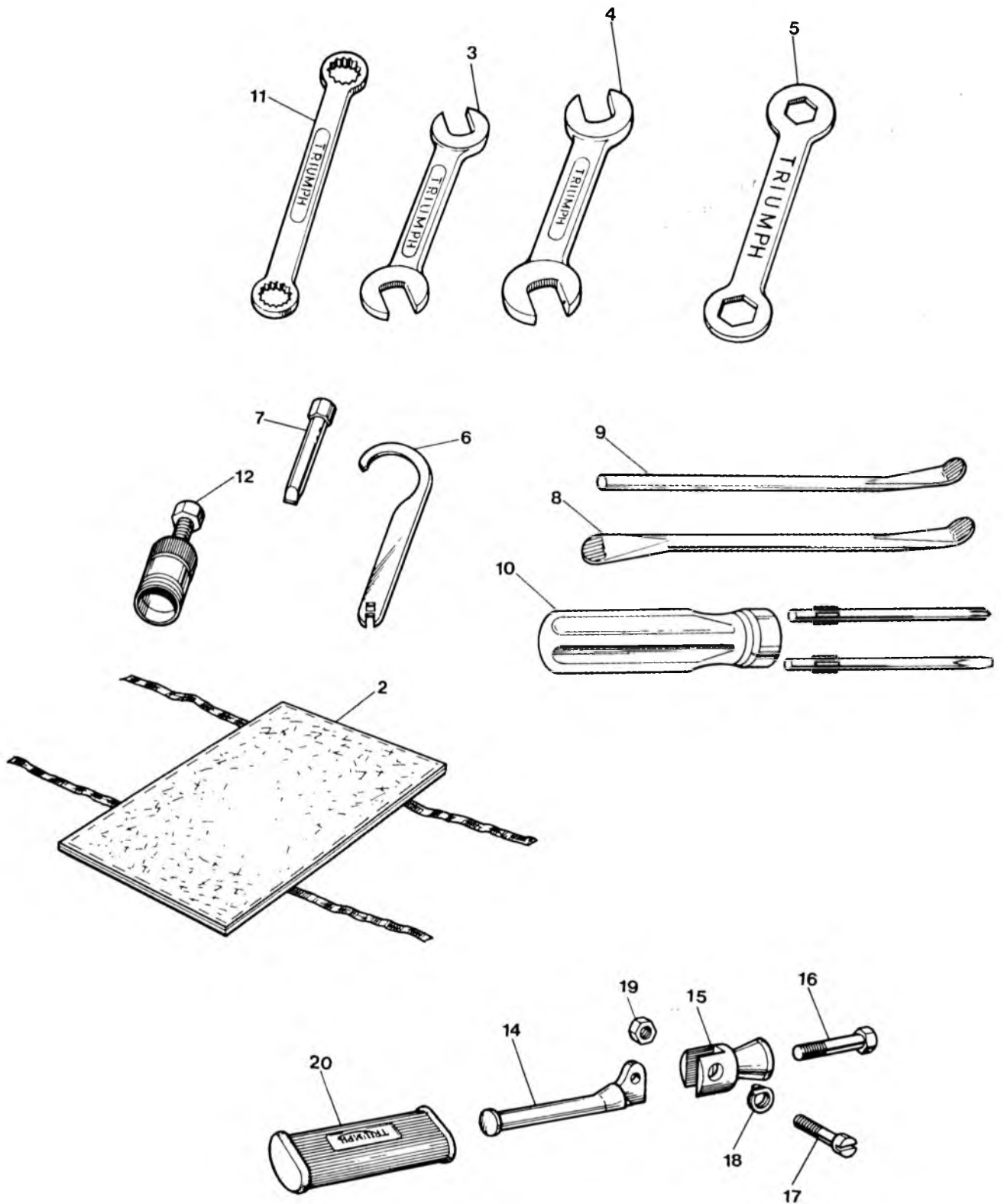


Fig. 29. TOOLKIT AND PILLION FOOTRESTS

TOOLKIT AND PILLION FOOTRESTS

1	D2109	TOOLKIT COMPLETE	1	
2	D291	Tool roll	1	
3	D2084	Open spanner $\frac{1}{4} \times \frac{5}{16}$ in. Whit.	1	
4	DA16 99-3511	Open spanner $\frac{3}{8} \times \frac{7}{16}$ in. Whit.	1	
5	DA311	Ring spanner $\frac{5}{8} \times \frac{1}{16}$ in. Whit.	1	
6	D362	"C" spanner and tappet key	1	
7	D2108	Screwdriver for chain tensioner	1	
8	NA14A 60-0363	Tyre lever	1	
9	D801	Tyre lever and tommy bar	1	
10	D767	Screwdriver	1	
11	D370	Ring spanner $\frac{3}{16} \times \frac{1}{4}$ in. Whit.	1	
12	D662/3	Clutch hub extractor	As required	
13	F9369	PILLION FOOTREST	2	
14	F1694	Pedal	2	
15	F9370	Hanger	2	
16	S1910	Bolt ($\frac{1}{8}$ in. U.H.)	2	
17	F9371	Pivot bolt	2	
18	F2277	Thrackeray (spring) washer	2	
19	14-0302	Nut	2	
20	F1695	Pedal rubber	2	

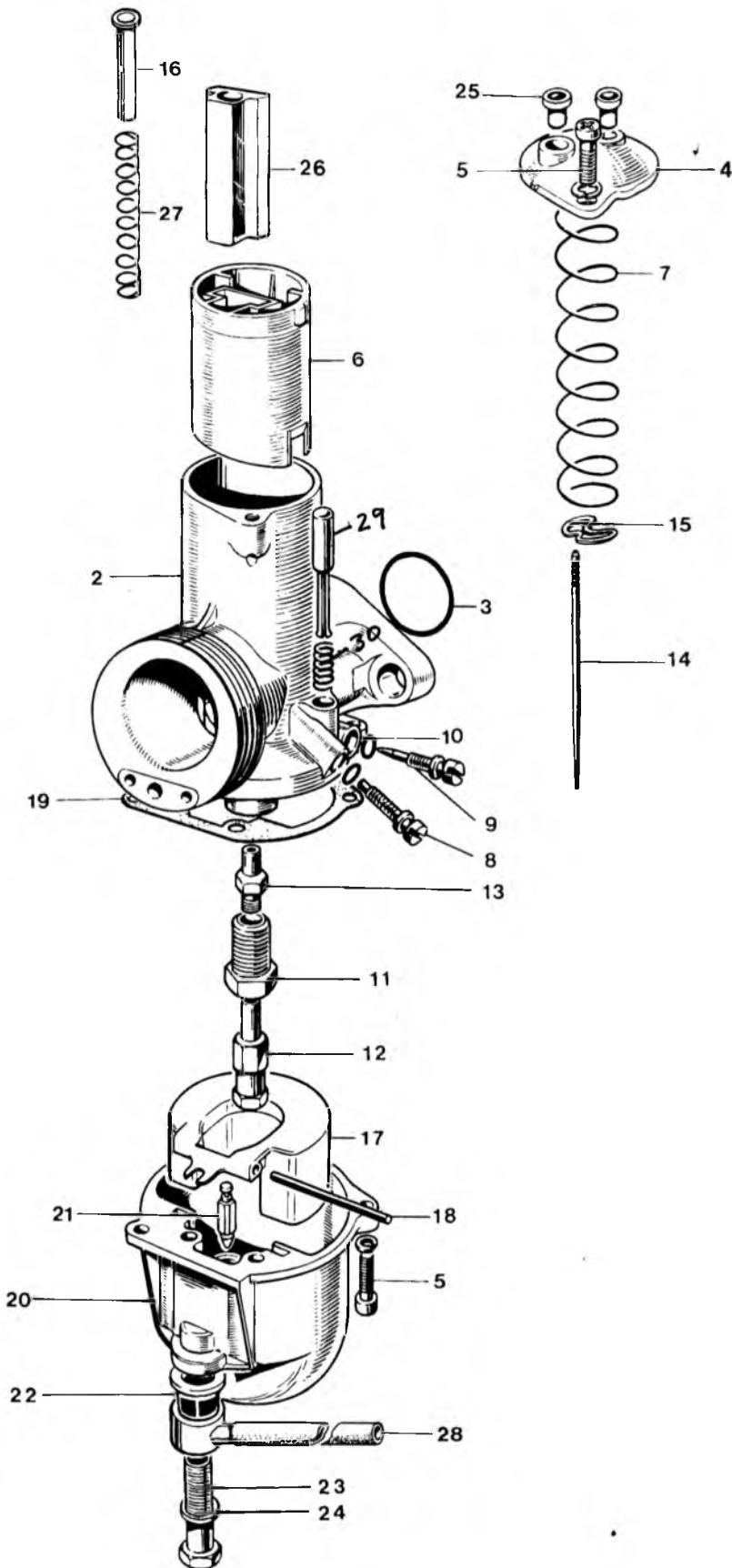


Fig. 30. AMAL CARBURETTER, TR6R TR6C

AMAL CARBURETTER TR6R, TR6C

1	D770R930/300	CARBURETTER (R930/23)	1	
2	Reference only	Mixing chamber	1	
3	99-0552	"O" ring seal (622/101)	1	
4	99-1032	Mixing chamber top (928/098)	1	
5	99-0521	Screw (622/086)	4	
6	99-0527	Throttle valve (4 cutaway) (928/060)	1	
7	99-1033	Throttle return spring (622/131)	1	
8	99-0516	Throttle stop screw (622/077)	1	
9	99-0515	Air adjusting screw (622/076)	1	
10	99-0520	"O" ring (622/082)	2	
11	99-1034	Jet holder (622/128)	1	
12	99-0441	Main jet (230) (376/100)	1	
13	99-1035	Needle jet (0.107) (622/122)	1	
14	99-1036	Needle (622/124)	1	
15	99-0510	Needle clip (622/067)	1	
16	99-1037	Air valve guide sleeve (928/103)	1	
17	99-0512	Float (622/069)	1	
18	99-0513	Float spindle (622/071)	1	
19	99-0514	Joint washer (622/073)	1	
20	99-0506	Float chamber (622/050)	1	
21	99-0511	Needle (622/068)	1	
22	99-0438	Filter (376/093)	1	
23	99-0517	Banjo bolt (622/078)	1	
24	99-0437	Fibre washer (376/092)	1	
25	6/132A	Cable ferrule	2	
26	99-0528	Air slide (928/062)	1	
27	99-1038	Spring (622/129)	1	
28	F9271	Petrol pipe	1	
29	622/089	PIN		
30	14/032	SPRING		
	376/139	DOUBLE BANJO		

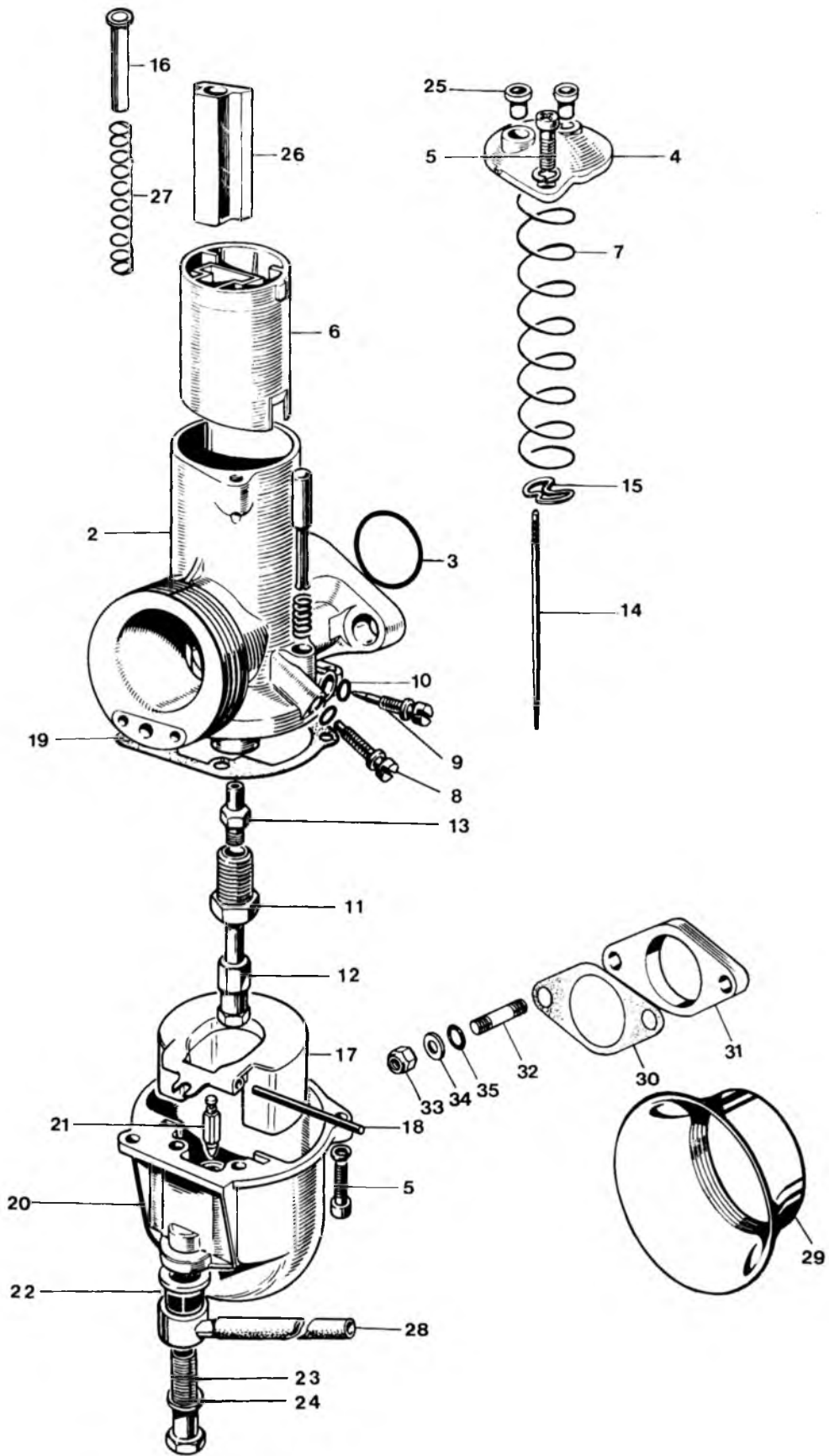


Fig. 31. AMAL CARBURETTER, T120R

A M A L C A R B U R E T T E R T 1 2 0 R

1	D771 930/301	CARBURETTER—L.H. (L930/10)	1	
1	D772 930/300	CARBURETTER—R.H. (R930/9)	1	
2	Reference only	Mixing Chamber: 930/015	2	
3	99-8552 70-9711	"O" ring seal (622/401)	2	
4	99-1032	Mixing chamber top (928/098)	2	
5	99-0521	Screw (622/086)	8	
6	99-0527	Throttle valve (3 cutaway) (928/060)	2	
7	99-1033	Throttle return spring (622/134) 622/061	2	
8	99-0516	Throttle stop screw (622/077)	2	
9	99-0515	Air adjusting screw (622/076)	2	
10	99-0520	"O" ring (622/082)	4	
11	99-1034	Jet holder (622/128)	2	
12	99-0441	Main jet (220) (376/100)-190	2	
13	99-1035	Needle jet (0-107) (622/122)-106	2	
14	99-1036	Needle (622/124)	2	
15	99-0510	Needle clip (622/067)	2	
16	99-1037	Air valve guide sleeve (928/103)	2	
17	99-0512	Float (622/069)	2	
18	99-0513	Float spindle (622/071)	2	
19	99-0514	Joint washer (622/073)	2	
20	99-0506	Float chamber (622/050)	2	
21	99-0511	Needle (622/068)	2	
22	99-0438	Filter (376/093)	2	
23	99-0517	Banjo bolt (622/078)	2	
24	99-0437	Fibre washer (376/092) 13/163	2	
25	6/132A	Cable ferrule	2	
26	99-0528	Air slide (928/062)	2	
27	99-1038	Spring (622/129)	2	
28	F8133	Petrol pipe	1	
29	99-0530	Air intake tube (928/066)	Available	
30	NA43A 71-1416	Joint washer	1	
31	E2968	Insulating block	1	
32	Reference only	Stude 1 in.	4	
33	51932 14-1301	Self-lock nut	4	
34	E9555	Cup	4	
35	E9554 02-20 4918	Insulating ring	4	

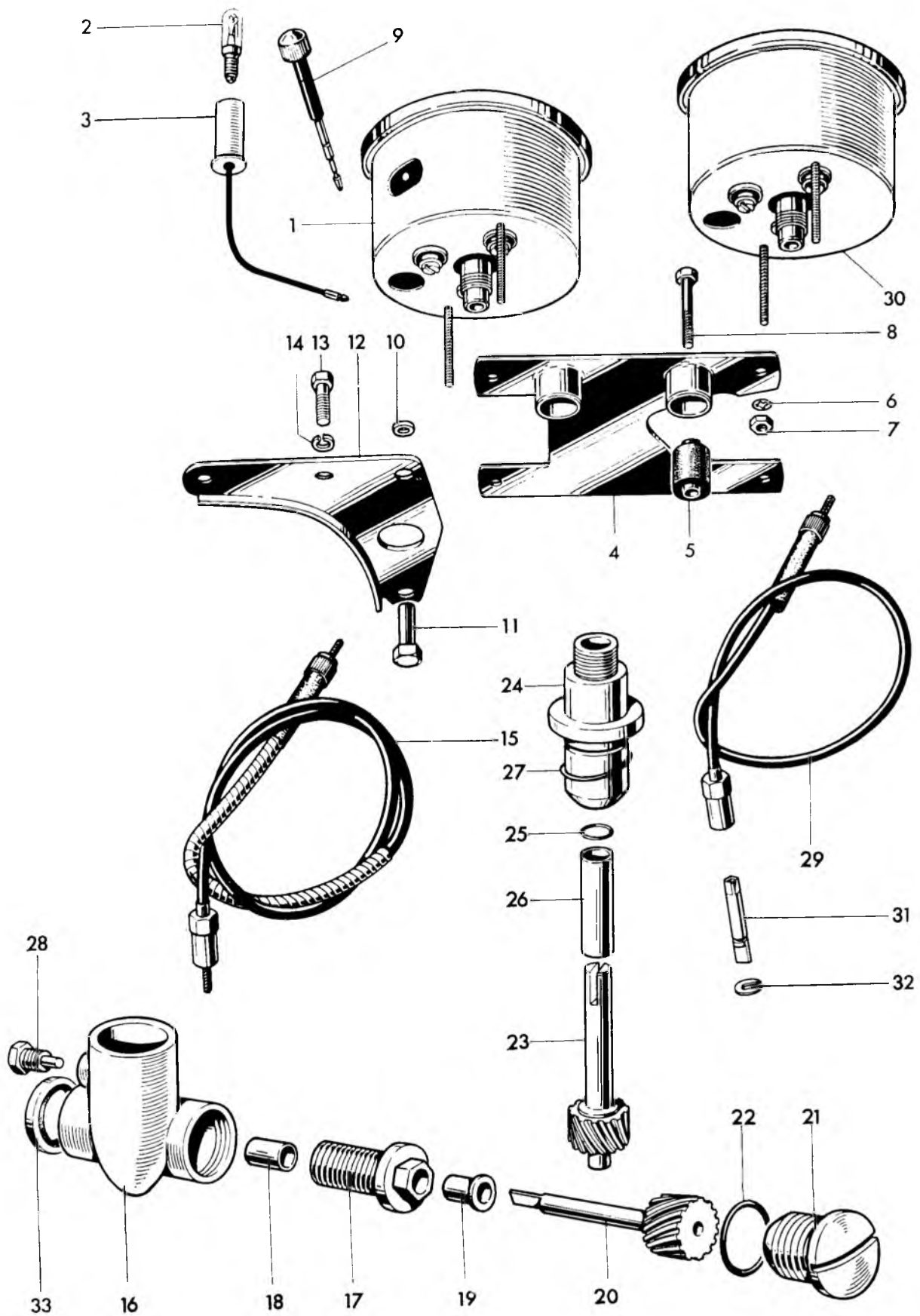


Fig. 33. SPEEDOMETER AND TACHOMETER

SPEEDOMETER AND TACHOMETER

1	99-0161	Speedometer head MPH (<u>SSM5001/06</u>)	1	
—	31-315-13501	Brass fitting at cable connection	1	Not illustrated
2	643	Bulb 3W-MES	1	
3	99-0695	Bulb holder (554710)	1	
4	H1946	MOUNTING BRACKET	1	} TR6R, T120R
5	H1929	Metalastik bush	2	
6	30-282-014-11	Washer	2	
7	30-276-037-11	Nut	2	
8	S590	Bolt (1- $\frac{3}{8}$ in. U.H.)	2	
9	41-148-203-10	Trip control	1	
10	H1702	Distance piece	2	} TR6C
11	H1701	Sleeve nut	2	
12	H2138	Bracket	1	
13	14-0101-200	Bolt ($\frac{1}{2}$ in. U.H.)	2	
14	S26-260-4250	Spring washer	2	
15	D609DF 9110/00	Speedometer cable (65 ins. long) (D609W inner only)	1	Smiths DF9110/00
16	E9331	TACHOMETER GEARBOX (E5758 Body)	1	} TR6R, T120R,
17	E9332	Securing screw	1	
18	Reference only	Bush	1	
19	E5155	Flanged bush	1	
20	E5157	Driving gear	1	
21	E5759	End cap	1	
22	E6300	"O" ring	1	
23	E5578 71-2653	Driven gear	1	
24	E6122	Driven gear housing	1	
25	E6299	"O" ring	1	
26	Reference only	Bush	1	
27	E3309 60-3530	"O" ring	1	
28	E5881	Set screw	1	
29	D578	Tachometer cable (28 in. long) (D578W inner only)	1	
30	99-0166	Tachometer (<u>RSM3003/01</u>)	1	
31	31-371-398	Spade 99-0173	1	
32	D494	Circlip	1	
33	E6961 70-7351	Sealing washer	1	
—	D546	Blanking plug (replaces tacho bulb holder)	1	Not illustrated

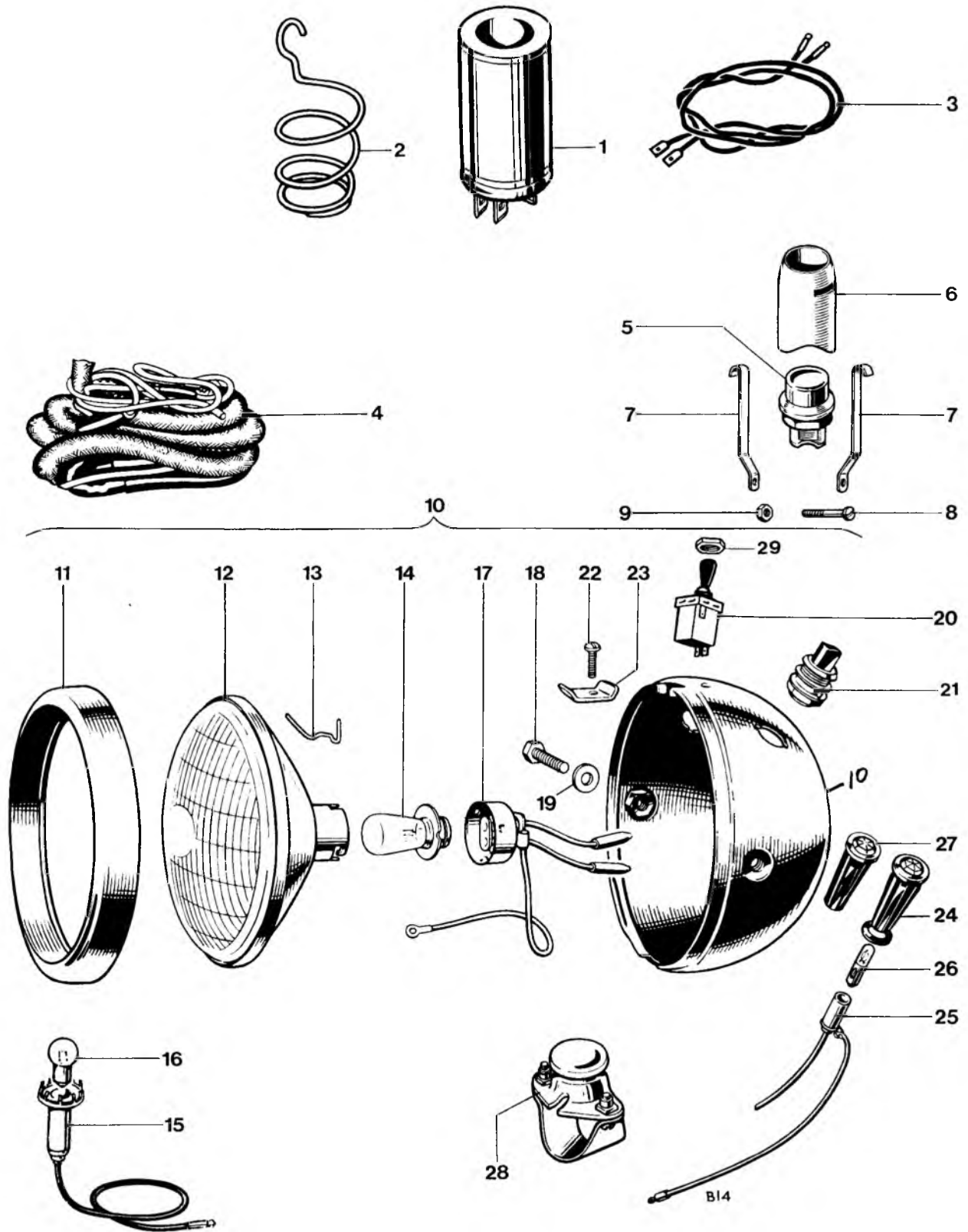


Fig. 34. IGNITION CAPACITOR AND HEADLAMP TR6C

IGNITION CAPACITOR AND HEADLAMP, TR6C

1	99-0737	Ignition capacitor (type 2MC) (54170009)	Available
2	99-0778	Capacitor mounting spring (54483156)	Available
—	F9274	Cap, wiring harness terminal	Available
4	99-1039	Wiring harness (54955719)	1	} TR6C
5	99-0564	Kill button, type 151SA (35835)	1	
6	H2259	Cup	1	
7	H2034	Clip	2	
8	H687	Bolt ($\frac{3}{8}$ in. U.H.)	1	
9	H745	Nut	1	
10	99-1040	HEADLAMP ASSEMBLY, MCH 66 (60087) 60137	1	
—	—	Shell 54524000	1	
11	99-0691	Rim (534343)	1	
12	99-1041	Light unit (54524526)	1	
13	99-0683	Fixing wire (504665)	6	
14	99-1042464	Bulb (40/27 W. Vertical Dip, Pre-focus) (464)	1	
15	99-0695	Bulbholder, pilot (554710)	1	
16	99-0548	Bulb (3W. M.C.C.) (989)	1	
17	54520540	Adaptor c/w leads	2	
18	112201	Bolt	2	
19	137498	Washer	2	
20	99-0563	Lighting switch (35710)	1	
21	99-0556	Dip switch (31620) ... DIP... NUT 314540	1	
22	144921	Screw	1	
23	99-0690	Plate (534296)	1	
24	99-0568	Warning light, red (38189)	1	
25	99-0803	Warning bubholder (54945043)	1	
26	99-0537	Bulb (2W. BA75) (281)	2	
27	99-0569	Warning light, green (38191)	1	
28	D553 76204	Horn push, Clear Hooters No. 13 #66	1	
29	153631	Nut for lighting switch	1	
—	GS299 60-4256	Serrated washer (for H745)	1	

use lucas numbers

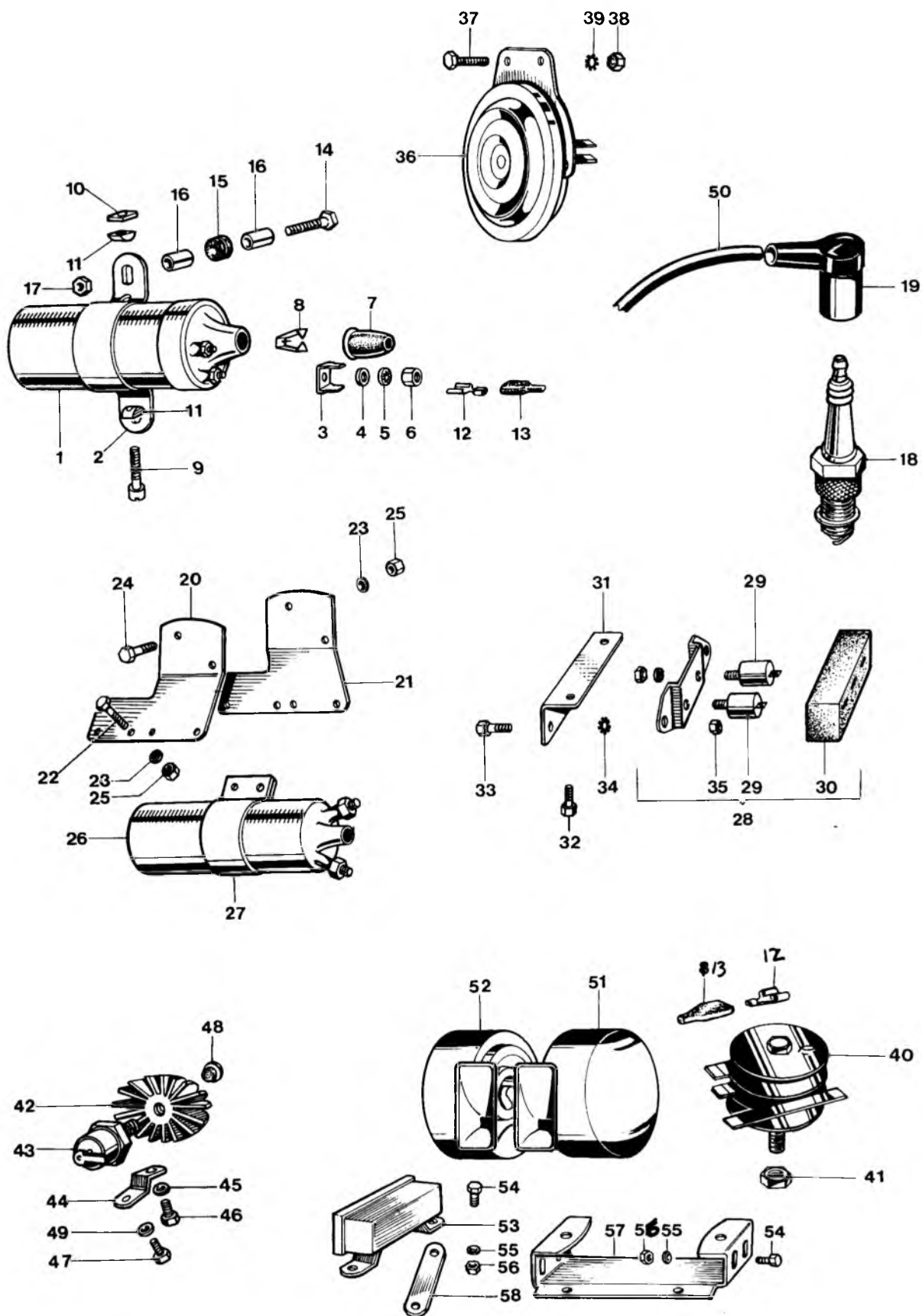


Fig. 35. IGNITION COILS, HORN, RECTIFIER AND ZENER DIODE

IGNITION COILS, HORN, RECTIFIER AND ZENER DIODE

Ref. No.	Part No.	DESCRIPTION	QUANTITY	REMARKS
1	99-0574 45223	IGNITION COIL, Type MA12 (45110)	2	} TR6R
2	423947	Bracket	2	
3	54190108 54191562	Lucar terminal	4	
4	131023	Plain washer (E2351)	4	
5	188330	Serrated washer (GS299)	4	
6	166043	Nut (F3799)	4	
7	421554 54953628	Rubber grommet	2	
8	421863	Cable clip	2	
9	54100776	Screw	2	
10	169160	Square nut	2	
11	99-0645	"D" washer (422369)	4	
12	54942078 54960664	Lucar connector	as required	} as required
13	54190042	Insulating cover	as required	
14	14-0202	Bolt (1 ⁵ / ₁₆ in. U.H.)	2	} T120R, TR6C
15	F5466	Rubber grommet	2	
16	F4366	Distance piece	4	
17	14-0701	Self locking nut	2	
18	—	Sparking plug (Champion N3)	2	
19	D262 DI05T	Plug cover	2	
20	F6943	Left coil bracket	1	
21	F6944	Right coil bracket	1	
22	14-0103	Bolt (5/8 in. U.H.)	4	
23	E1612	Serrated washer	6	
24	14-0102	Bolt	2	
25	14-0301	Nut	6	
26	E6388 45223	Ignition coil, Siba 32,000	2	} TR6R, TR6C
27	E6389 54419974	Clip, Siba 32,000/1	2	
28	99-0588	CONDENSER PACK 2CP 47638	1	
29	99-1043	Condenser (47638) 54420128	2	
30	99-0767	Cover (54420128) 54418528	1	
31	F0002	Condenser pack bracket (54418528)	1	
32	E8287	Bolt, bracket to frame	2	
33	F10033	Bolt, pack to bracket	2	
34	GS299 60-4256	Shakeproof washer	2	
35	F3799	Nut	2	
36	99-0612	Horn, type 6H (70197) 70183	1	
37	F4771	Screw (3/8 in. U.H.)	2	
38	F3799	Nut	3	
39	GS299	Serrated washer	3	
40	99-0589	Rectifier, type 2DS 506 (49072)	1	
41	F5338	Nut	1	
42	H2237	Heat sink	1	
43	99-0590	Zener diode (49345)	1	
44	H2236 97-4262	Bracket	1	
45	S26-2 60-4250	Washer	1	
46	14-6102 6007	Bolt (bracket to heat sink)	1	
47	14-0113 6008	Bolt (bracket to fork)	1	
48	H2275	Plug heat sink	1	
49	S26-3 60-4260	Washer	1	
50	842183	High tension lead	2	
51	D1900	Horn R.H.	1	} T120R
52	D1901	Horn L.H.	1	
53	99-1027	Horn relay (33188)	1	
54	14-0103	Bolt	6	
55	S26-2 60-4250	Washer	6	
56	14-0301	Nut	6	
57	F11254	Bracket	1	
58	F7582	Relay stay	1	

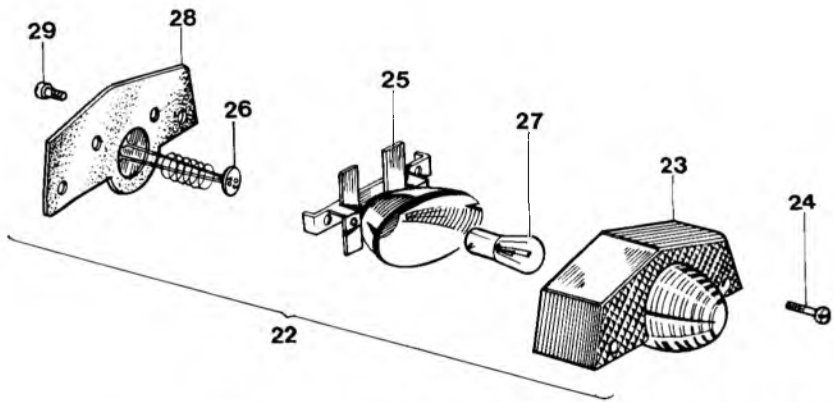
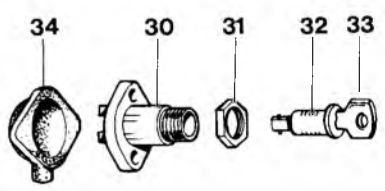
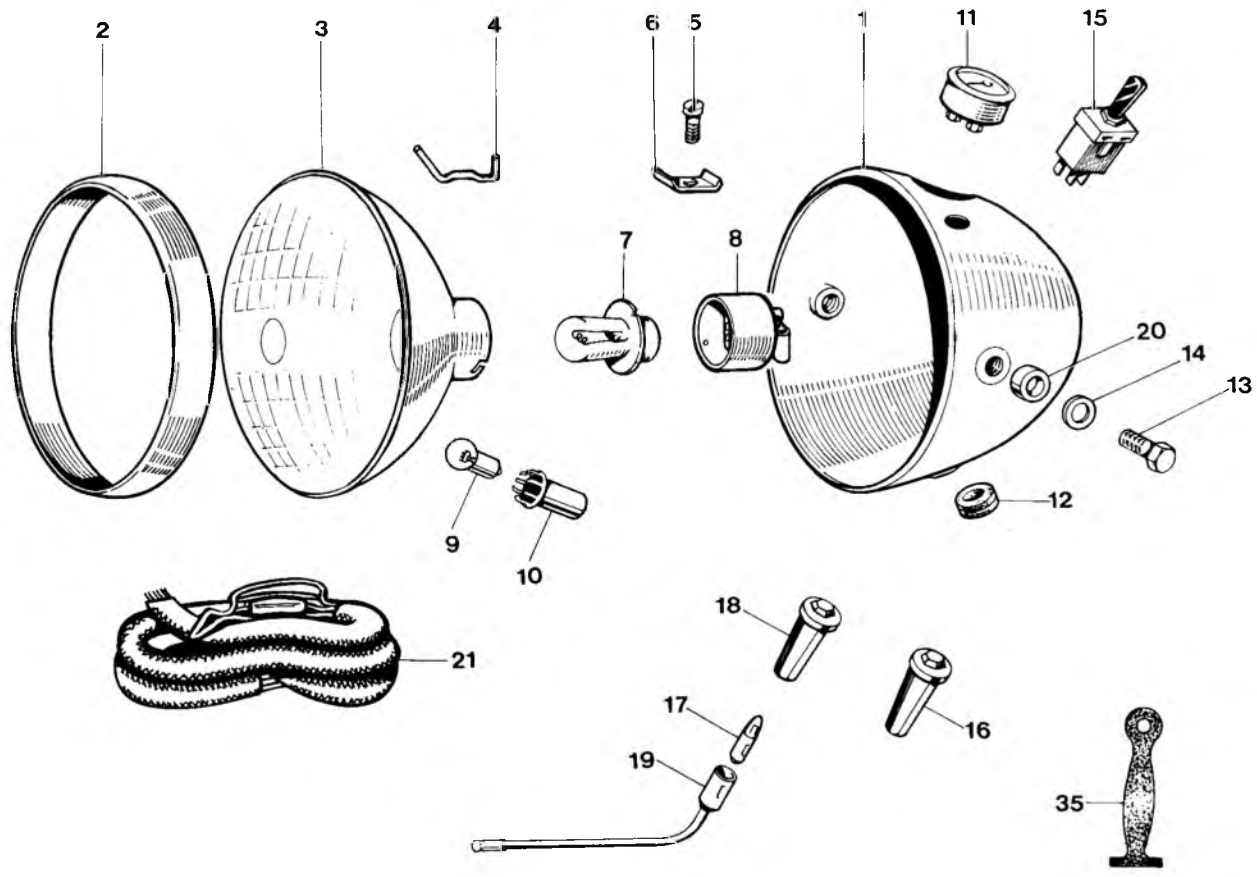


Fig. 36. HEADLAMP, WIRING HARNESS, SWITCHES AND TAIL LAMP

**HEADLAMP, WIRING HARNESS, SWITCHES AND TAIL LAMP
TR6R, T120R**

1	99-0608	HEADLAMP COMPLETE TYPE SS700P (59883) ...	1	
1	54523508	Shell only ...	1	
2	99-0692	Rim (553248) ...	1	
3	99-0686	Light unit (516798) ...	1	
4	99-0683	Fixing wire (504665) ...	6	
5	144921	Screw ...	1	
6	99-0690	Plate (534296) ...	1	
7	99-0545	Bulb (50/40W vert dip pre focus) (446) ...	1	
8	99-1003	Main bulbholder (54520540) ...	1	
9	99-0548	Bulb (6W MCC) (989) ...	1	
10	99-0695	Pilot bulbholder (554710) ...	1	
11	99-1044	Ammeter, type 2AR (36403) ...	1	
12	862217	Grommet ...	1	
13	112201	Bolt ...	2	
14	137498	Plain washer ...	2	
15	99-0563	Lighting switch (35710) ...	1	
16	99-0568	Warning light body (red) (38189) ...	1	
17	99-0537)	Bulb (2W BA7S) (281) ...	1	
18	99-0569	Warning light body (green) (38191) ...	1	
19	99-0803	Warning bulbholder (54945043) ...	2	
20	H1932	Distance piece ...	1	
21	99-1045	Wiring harness (54955257) ...	1	
22	99-0597	Stop and tail lamp, type L679 (53973) ...	1	
23	99-1046	Lens (54577109) ...	1	
24	144921	Screw ...	2	
25	99-0783	Bulb holder with reflector (54574348) ...	1	
26	99-0701	Contact assembly (573828) ...	1	
27	99-0542	Bulb (6/12W offset pin) (380) ...	1	
28	99-0780	Gasket (54571677) ...	1	
29	127684	Screw ...	1	
30	99-0558	Ignition switch, type S45 (31899) ...	1	
31	54130041	Nut ...	1	
32	F6981	Ignition lock c/w keys ...	1	
33	D62254835169	Ignition key (state serial No.) ...	As required	
34	H2262	Ignition switch cover ...	1	
35	D343/3	Ignition rubber cable clip (rear lamp) ...	1	

60-0343/008

use Lucas numbers.